

REVISIONS			
REV	DESCRIPTION	DATE	APPROVED

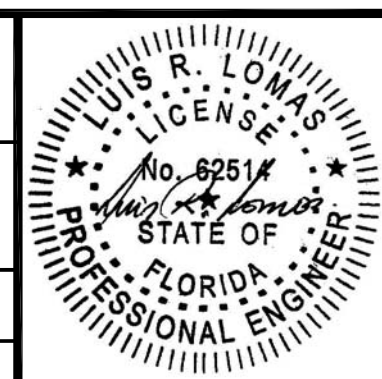
NOTES:

1. THE PRODUCT SHOWN HEREIN IS DESIGNED AND MANUFACTURED TO COMPLY WITH REQUIREMENTS OF THE FLORIDA BUILDING CODE.
2. WOOD FRAMING AND MASONRY OPENING TO BE DESIGNED AND ANCHORED TO PROPERLY TRANSFER ALL LOADS TO STRUCTURE. FRAMING AND MASONRY OPENING IS THE RESPONSIBILITY OF THE ARCHITECT OR ENGINEER OF RECORD.
3. 1X BUCK OVER MASONRY/CONCRETE IS OPTIONAL. WHERE 1X BUCK IS NOT USED DISSIMILAR MATERIALS MUST BE SEPARATED WITH APPROVED COATING OR MEMBRANE. SELECTION OF COATING OR MEMBRANE IS THE RESPONSIBILITY OF THE ARCHITECT OR ENGINEER OF RECORD.
4. ALLOWABLE STRESS INCREASE OF 1/3 WAS NOT USED IN THE DESIGN OF THE PRODUCT SHOWN HEREIN. WIND LOAD DURATION FACTOR  $C_d=1.6$  WAS USED FOR WOOD ANCHOR CALCULATIONS.
5. FRAME MATERIAL: EXTRUDED RIGID PVC.
6. UNITS MUST BE GLAZED PER ASTM E1300-04, SEE SHEET 2 FOR GLASS OPTIONS.
7. APPROVED IMPACT PROTECTIVE SYSTEM IS NOT REQUIRED FOR THIS PRODUCT IN WIND BORNE DEBRIS REGIONS.
8. SHIM AS REQUIRED AT EACH INSTALLATION ANCHOR WITH LOAD BEARING SHIM. SHIM WHERE SPACE OF 1/16" OR GREATER OCCURS. MAXIMUM ALLOWABLE SHIM STACK TO BE 1/4".
9. FOR ANCHORING INTO WOOD FRAMING OR 2X BUCK USE #8 WOOD SCREWS WITH SUFFICIENT LENGTH TO ACHIEVE A 1 1/4" MINIMUM EMBEDMENT INTO SUBSTRATE. LOCATE ANCHORS AS SHOWN IN ELEVATIONS AND INSTALLATION DETAILS.
10. FOR ANCHORING INTO MASONRY/CONCRETE USE 3/16" TAPCONS WITH SUFFICIENT LENGTH TO ACHIEVE A 1 1/4" MINIMUM EMBEDMENT INTO SUBSTRATE WITH 2 1/2" MINIMUM EDGE DISTANCE. LOCATE ANCHORS AS SHOWN IN ELEVATIONS AND INSTALLATION DETAILS.
11. FOR ANCHORING INTO METAL STRUCTURE USE #8 SMS OR SELF DRILLING SCREWS WITH SUFFICIENT LENGTH TO ACHIEVE 3 THREADS MINIMUM BEYOND STRUCTURE INTERIOR WALL. LOCATE ANCHORS AS SHOWN IN ELEVATIONS AND INSTALLATION DETAILS.
12. ALL FASTENERS TO BE CORROSION RESISTANT.
13. INSTALLATION ANCHORS SHALL BE INSTALLED IN ACCORDANCE WITH ANCHOR MANUFACTURER'S INSTALLATION INSTRUCTIONS AND ANCHORS SHALL NOT BE USED IN SUBSTRATES WITH STRENGTHS LESS THAN THE MINIMUM STRENGTH SPECIFIED BELOW:
  - A. WOOD - MINIMUM SPECIFIC GRAVITY OF  $G=0.42$
  - B. CONCRETE - MINIMUM COMPRESSIVE STRENGTH OF 3,192 PSI.
  - C. MASONRY - STRENGTH CONFORMANCE TO ASTM C-90, GRADE N, TYPE 1 (OR GREATER).
  - D. METAL STRUCTURE: STEEL 18GA, 33KSI OR ALUMINUM 6063-T5 1/8" THICK MINIMUM

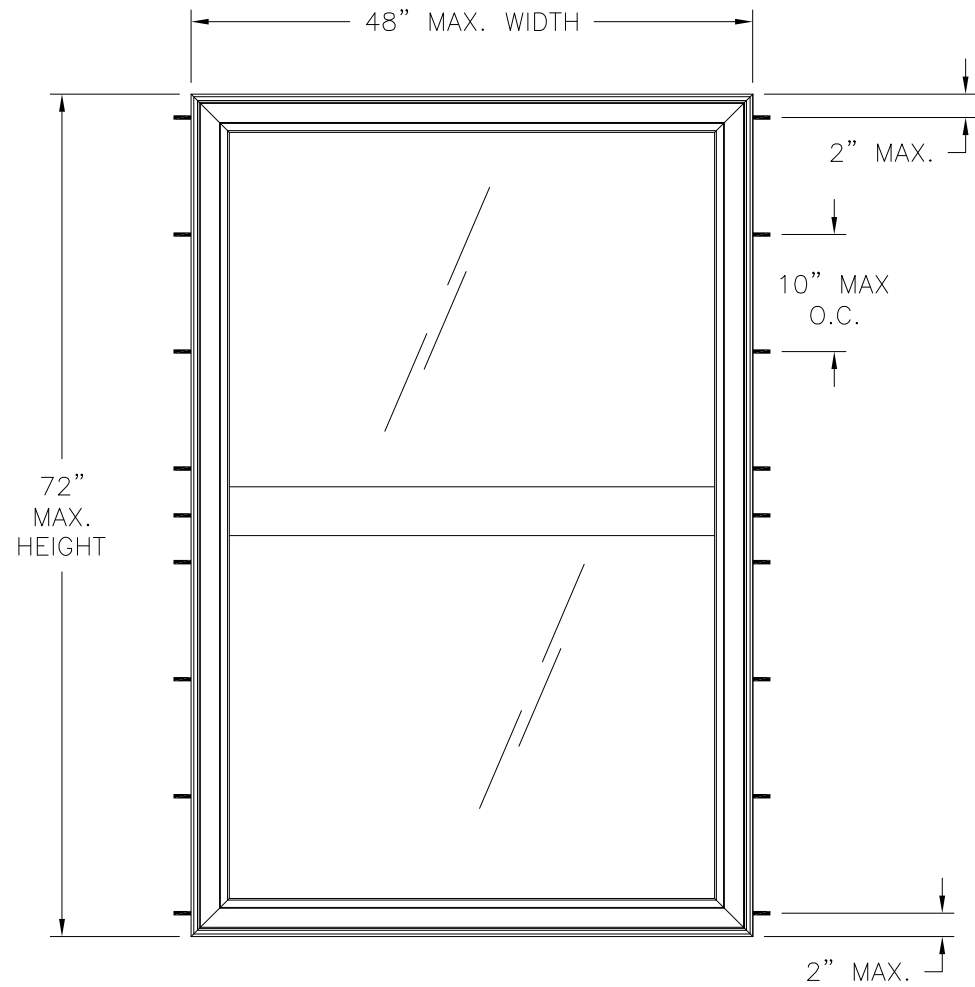
SIGNED: 02/26/2013

TABLE OF CONTENTS	
SHEET NO.	DESCRIPTION
1	ELEVATION, ANCHORING AND NOTES
2 - 4	INSTALLATION DETAILS & GLAZING DETAIL

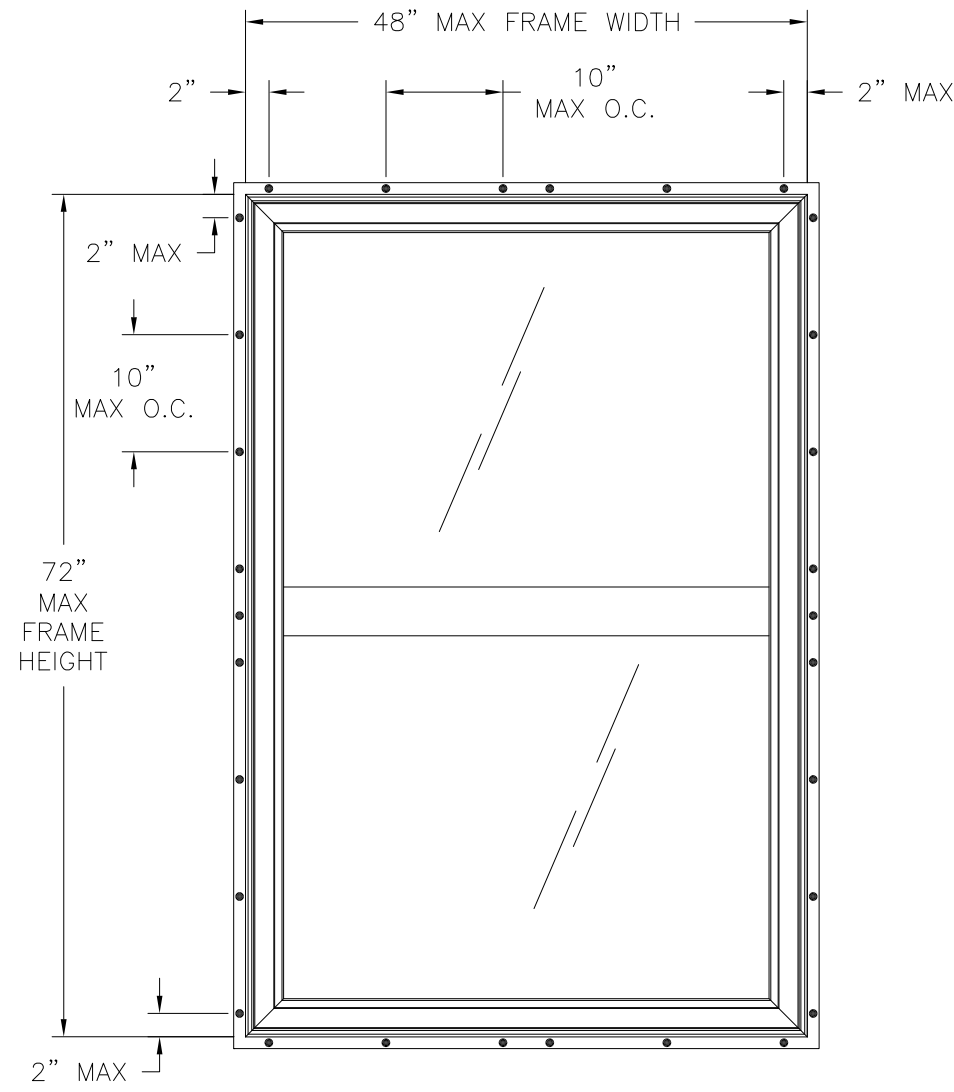
WINDOW MART 5760 ALBERT PIKE ROYAL, AR 71986		
6101 NC/6102 REP IMPACT SINGLE HUNG WINDOW 48 X 72 ELEVATION AND NOTES		
DRAWN: V.L.	DWG NO. 08-01932	REV -
SCALE NTS	DATE 02/26/13	SHEET 1 OF 5



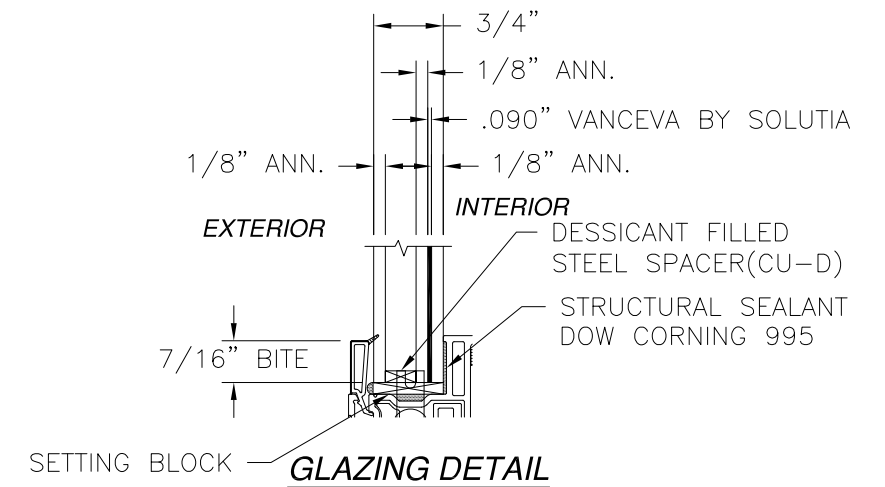
REVISIONS			
REV	DESCRIPTION	DATE	APPROVED



**6102REP IMPACT SINGLE HUNG WINDOW**  
EXTERIOR VIEW



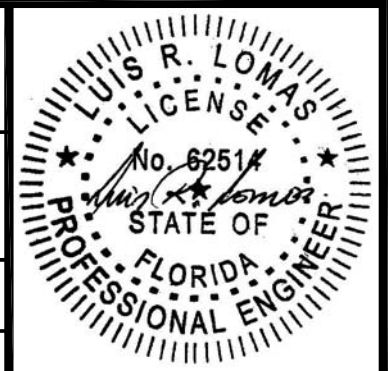
**6101NC IMPACT SINGLE HUNG WINDOW**  
EXTERIOR VIEW



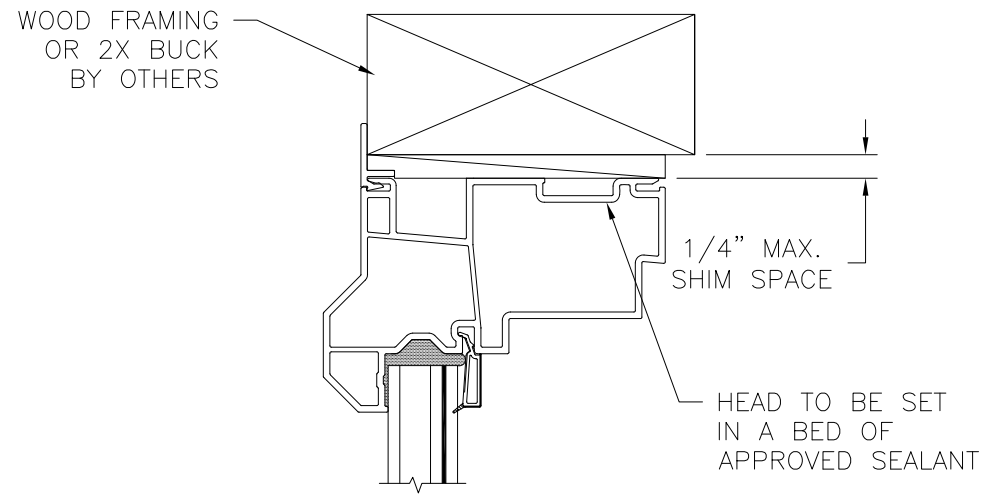
DESIGN PRESSURE RATING	IMPACT RATING
±50.0PSF	LARGE AND SMALL MISSILE IMPACT

MISSILE LEVEL D, WIND ZONE 4

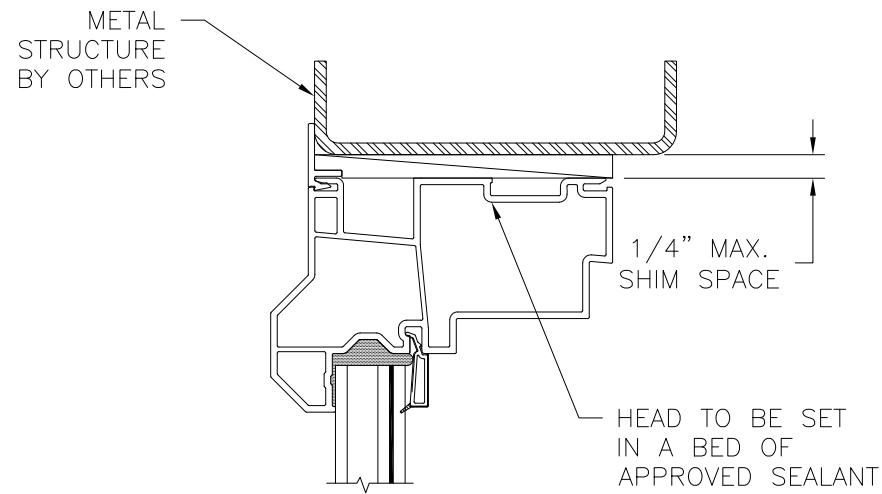
<b>WINDOW MART</b> 5760 ALBERT PIKE ROYAL, AR 71986		
6101 NC/6102 REP IMPACT SINGLE HUNG WINDOW 48 X 72 ELEVATION AND NOTES		
DRAWN: V.L.	DWG NO. 08-01932	REV -
SCALE NTS	DATE 02/26/13	SHEET 2 OF 5



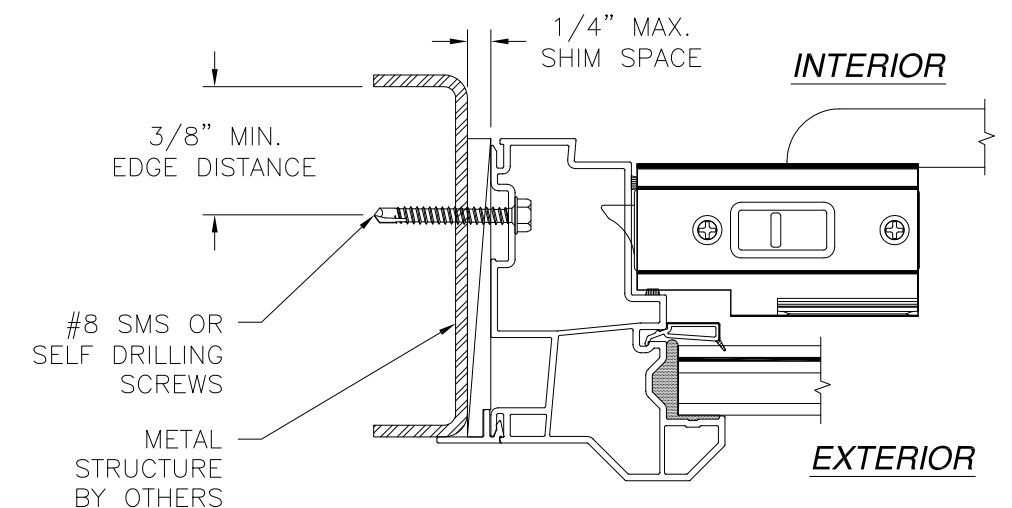
REVISIONS			
REV	DESCRIPTION	DATE	APPROVED



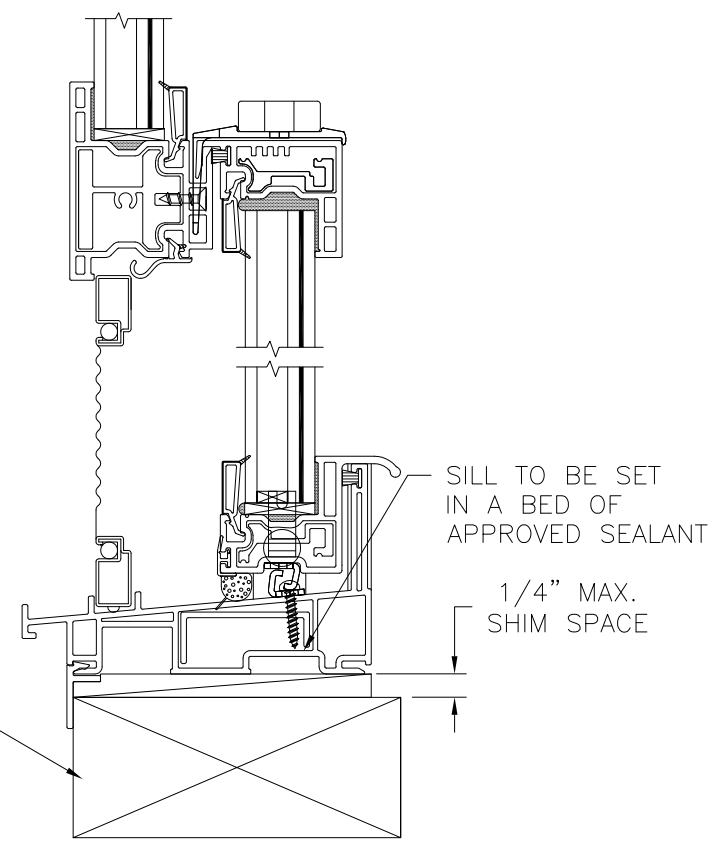
**EXTERIOR**      **INTERIOR**



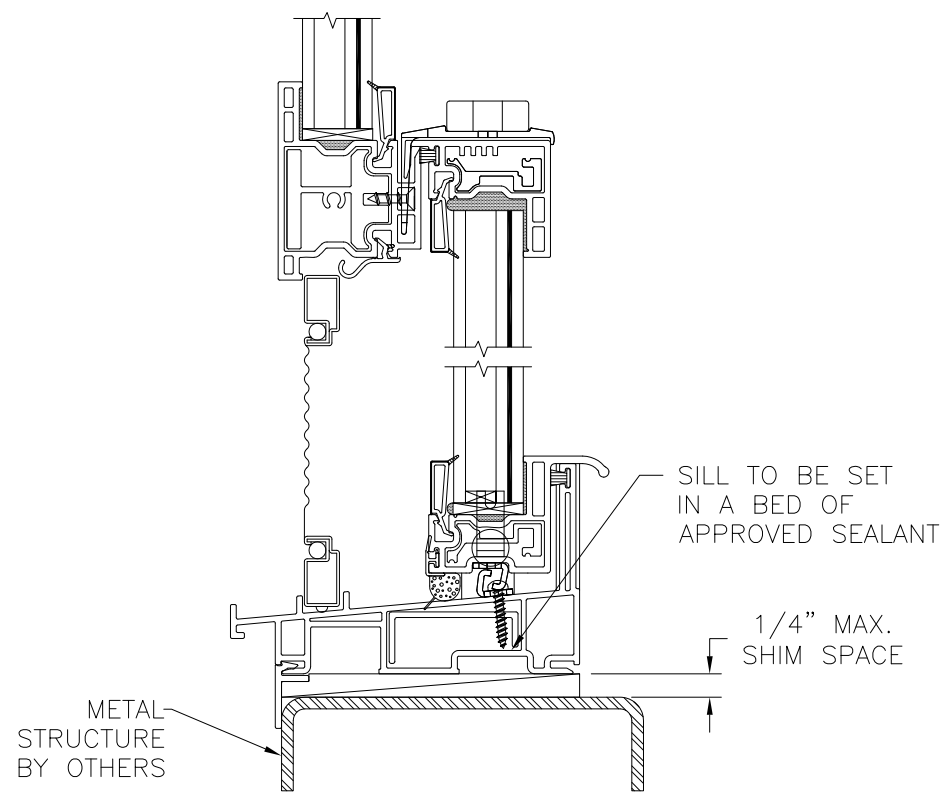
**EXTERIOR**      **INTERIOR**



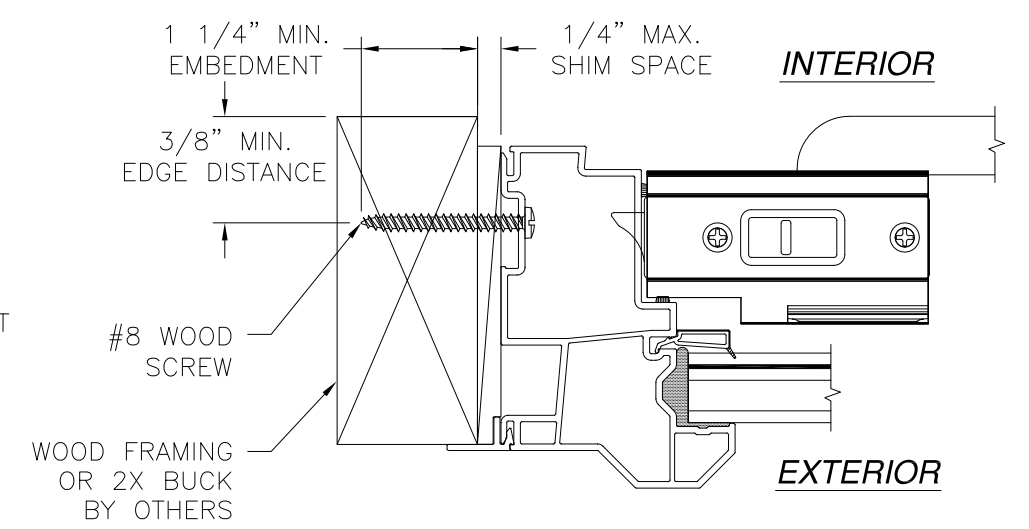
**JAMB INSTALLATION DETAIL  
METAL STRUCTURE INSTALLATION**



**VERTICAL CROSS SECTION  
WOOD FRAMING OR 2X BUCK INSTALLATION**



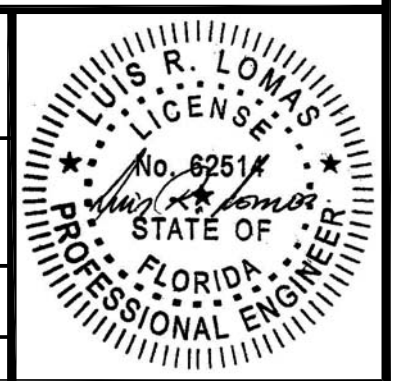
**VERTICAL CROSS SECTION  
METAL STRUCTURE INSTALLATION**



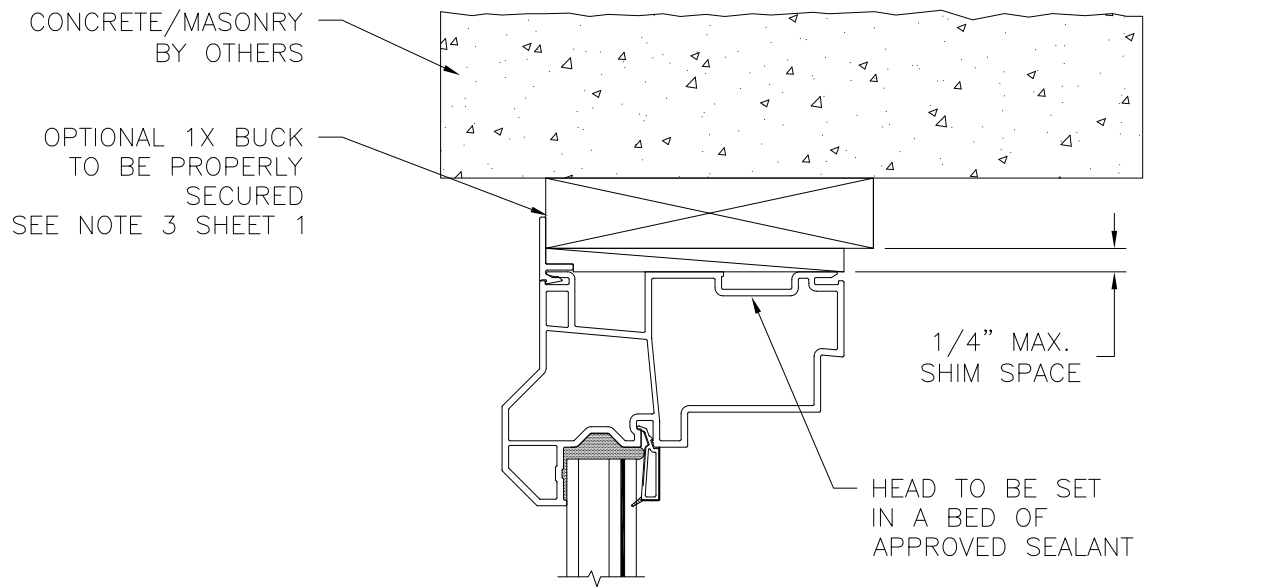
**JAMB INSTALLATION DETAIL  
WOOD FRAMING OR 2X BUCK INSTALLATION**

NOTE:  
INTERIOR AND EXTERIOR FINISHES, BY OTHERS, NOT SHOWN FOR CLARITY.

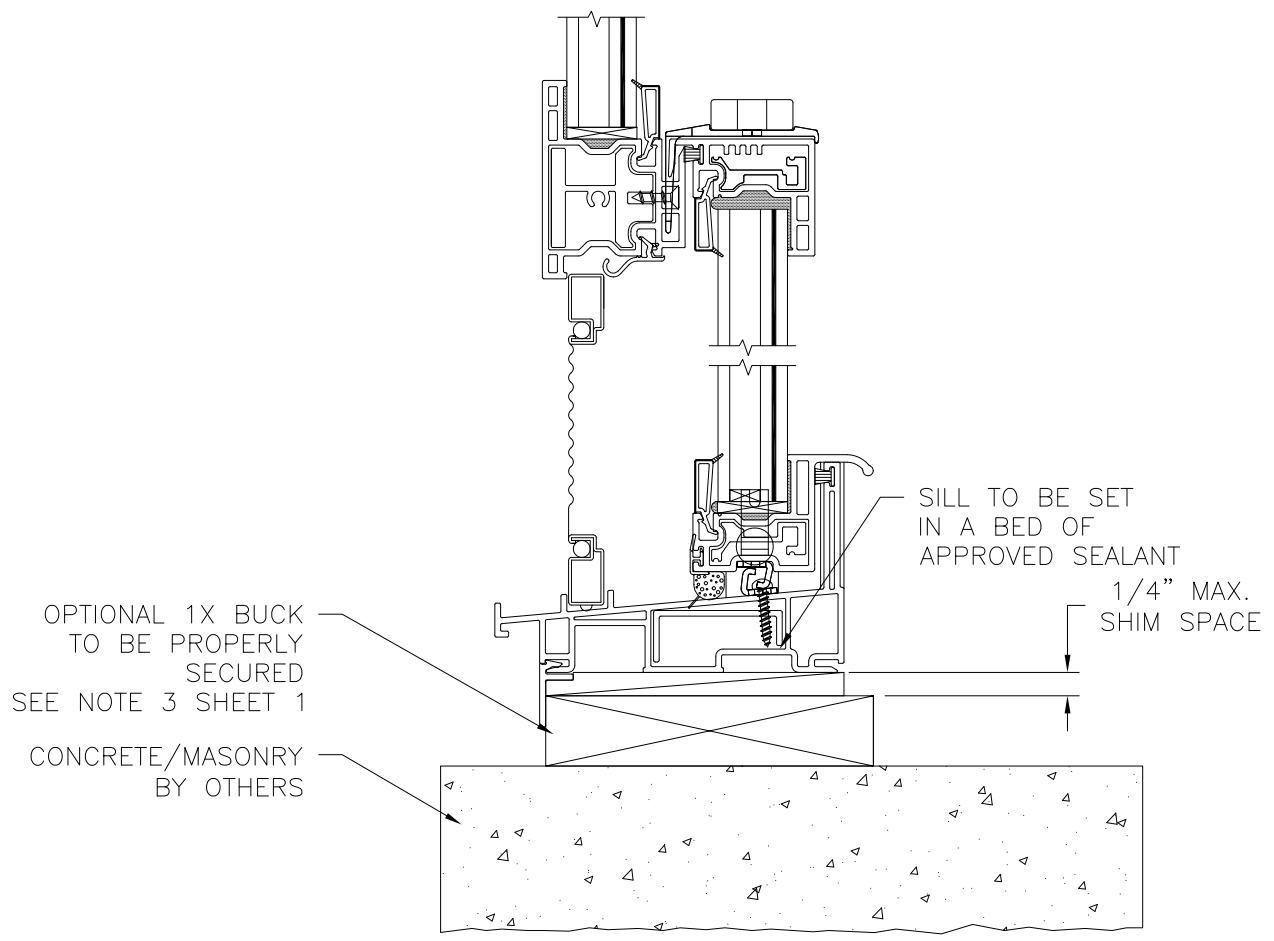
<b>WINDOW MART</b> 5760 ALBERT PIKE ROYAL, AR 71986		
6101 NC/6102 REP IMPACT SINGLE HUNG WINDOW 48 X 72 INSTALLATION DETAILS		
DRAWN: V.L.	DWG NO. 08-01932	REV -
SCALE NTS	DATE 02/26/13	SHEET 3 OF 5



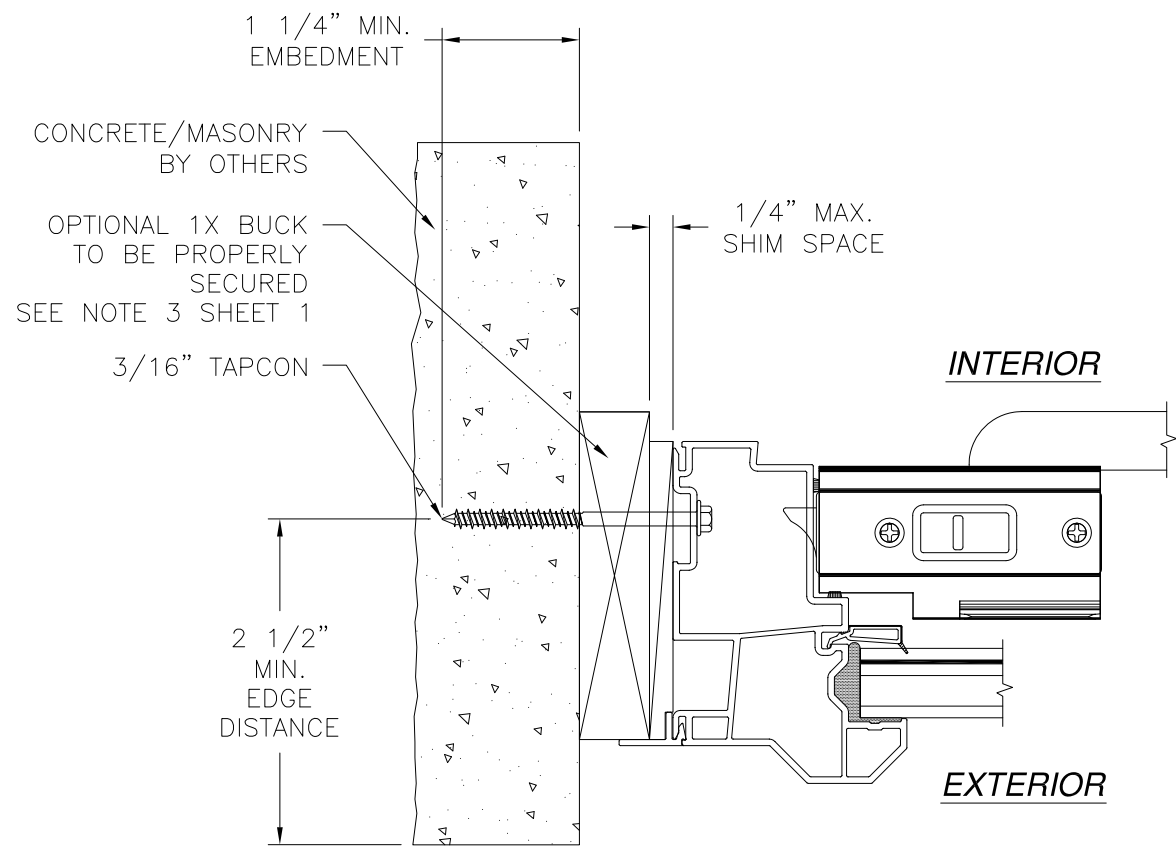
REVISIONS			
REV	DESCRIPTION	DATE	APPROVED



EXTERIOR                      INTERIOR



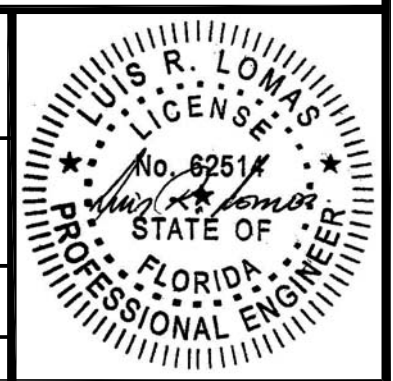
**VERTICAL CROSS SECTION**  
CONCRETE/MASONRY INSTALLATION



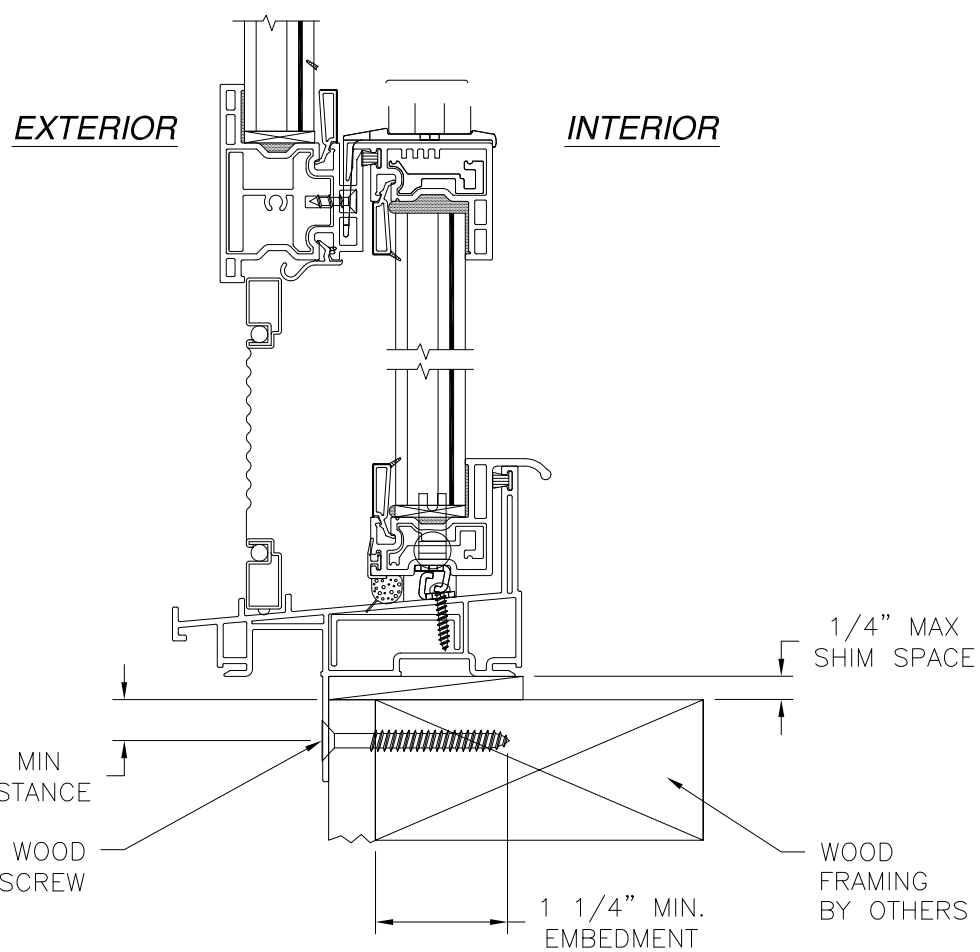
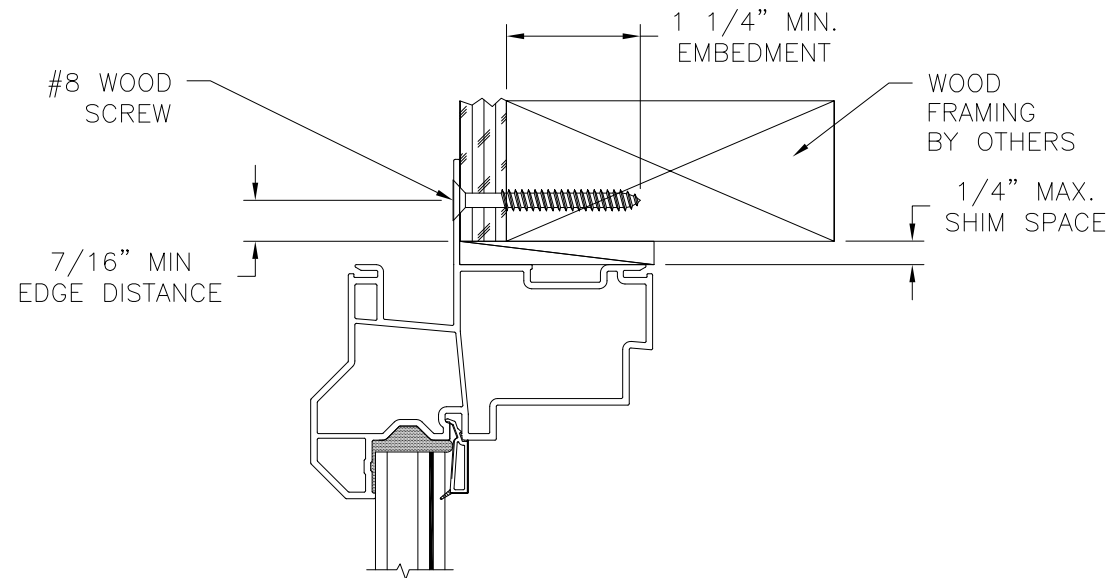
**JAMB INSTALLATION DETAIL**  
CONCRETE/MASONRY INSTALLATION

**NOTE:**  
INTERIOR AND EXTERIOR FINISHES, BY OTHERS, NOT SHOWN FOR CLARITY.

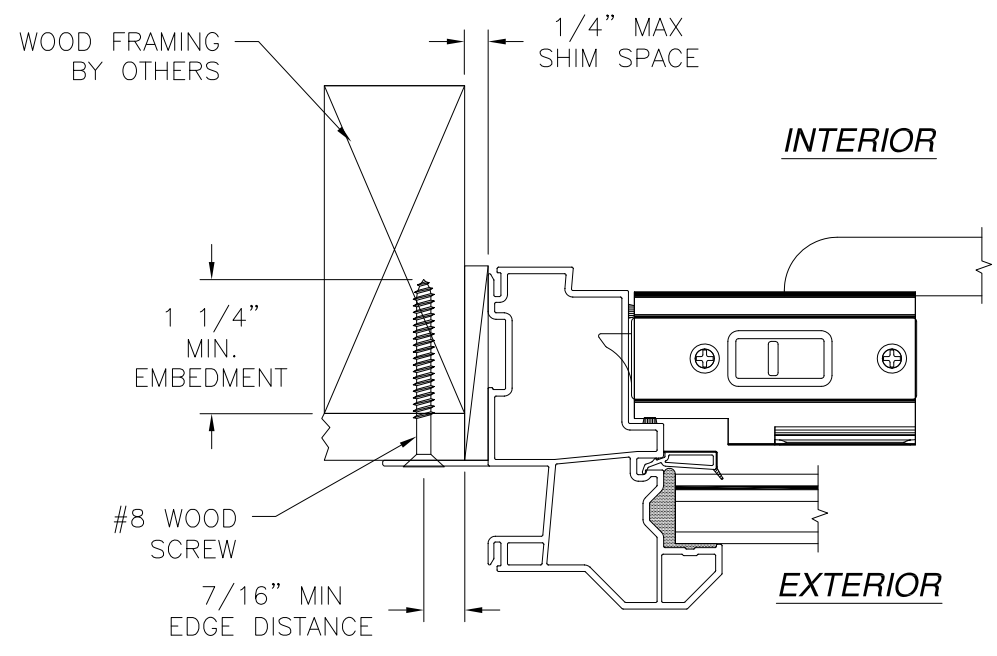
<b>WINDOW MART</b> 5760 ALBERT PIKE ROYAL, AR 71986		
6101 NC/6102 REP IMPACT SINGLE HUNG WINDOW 48 X 72 INSTALLATION DETAILS		
DRAWN: V.L.	DWG NO. 08-01932	REV -
SCALE NTS	DATE 02/26/13	SHEET 4 OF 5



REVISIONS			
REV	DESCRIPTION	DATE	APPROVED



**VERTICAL CROSS SECTION**  
WOOD FRAMING OR 2X BUCK INSTALLATION



**JAMB INSTALLATION DETAIL**  
WOOD FRAMING OR 2X BUCK INSTALLATION

NOTE:  
INTERIOR AND EXTERIOR FINISHES, BY OTHERS, NOT SHOWN FOR CLARITY.

WINDOW MART 5760 ALBERT PIKE ROYAL, AR 71986		
6101 NC/6102 REP IMPACT SINGLE HUNG WINDOW 48 X 72 INSTALLATION DETAILS & GLAZING DETAILS		
DRAWN: V.L.	DWG NO. 08-01932	REV -
SCALE NTS	DATE 02/26/13	SHEET 5 OF 5

