

REVISIONS			
REV	DESCRIPTION	DATE	APPROVED

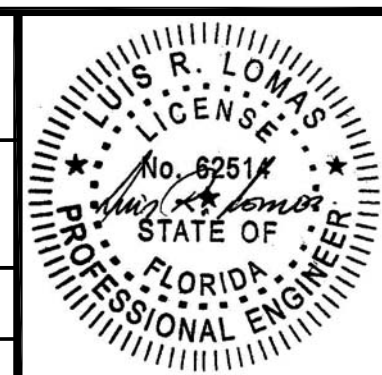
NOTES:

1. THE PRODUCT SHOWN HEREIN IS DESIGNED AND MANUFACTURED TO COMPLY WITH REQUIREMENTS OF THE FLORIDA BUILDING CODE.
2. WOOD FRAMING AND MASONRY OPENING TO BE DESIGNED AND ANCHORED TO PROPERLY TRANSFER ALL LOADS TO STRUCTURE. FRAMING AND MASONRY OPENING IS THE RESPONSIBILITY OF THE ARCHITECT OR ENGINEER OF RECORD.
3. 1X BUCK OVER MASONRY/CONCRETE IS OPTIONAL. WHERE 1X BUCK IS NOT USED DISSIMILAR MATERIALS MUST BE SEPARATED WITH APPROVED COATING OR MEMBRANE. SELECTION OF COATING OR MEMBRANE IS THE RESPONSIBILITY OF THE ARCHITECT OR ENGINEER OF RECORD.
4. ALLOWABLE STRESS INCREASE OF 1/3 WAS NOT USED IN THE DESIGN OF THE PRODUCT SHOWN HEREIN. WIND LOAD DURATION FACTOR $C_d=1.6$ WAS USED FOR WOOD ANCHOR CALCULATIONS.
5. FRAME MATERIAL: EXTRUDED RIGID PVC.
6. UNITS MUST BE GLAZED PER ASTM E1300-04, SEE SHEET 2 FOR GLASS OPTIONS.
7. APPROVED IMPACT PROTECTIVE SYSTEM IS REQUIRED FOR THIS PRODUCT IN WIND BORNE DEBRIS REGIONS.
8. SHIM AS REQUIRED AT EACH INSTALLATION ANCHOR WITH LOAD BEARING SHIM. SHIM WHERE SPACE OF 1/16" OR GREATER OCCURS. MAXIMUM ALLOWABLE SHIM STACK TO BE 1/4".
9. FOR ANCHORING INTO WOOD FRAMING OR 2X BUCK USE #8 WOOD SCREWS WITH SUFFICIENT LENGTH TO ACHIEVE A 1 1/4" MINIMUM EMBEDMENT INTO SUBSTRATE. LOCATE ANCHORS AS SHOWN IN ELEVATIONS AND INSTALLATION DETAILS.
10. FOR ANCHORING INTO MASONRY/CONCRETE USE 3/16" TAPCONS WITH SUFFICIENT LENGTH TO ACHIEVE A 1 1/4" MINIMUM EMBEDMENT INTO SUBSTRATE WITH 2 1/2" MINIMUM EDGE DISTANCE. LOCATE ANCHORS AS SHOWN IN ELEVATIONS AND INSTALLATION DETAILS.
11. FOR ANCHORING INTO METAL STRUCTURE USE #8 SMS OR SELF DRILLING SCREWS WITH SUFFICIENT LENGTH TO ACHIEVE 3 THREADS MINIMUM BEYOND STRUCTURE INTERIOR WALL. LOCATE ANCHORS AS SHOWN IN ELEVATIONS AND INSTALLATION DETAILS.
12. ALL FASTENERS TO BE CORROSION RESISTANT.
13. INSTALLATION ANCHORS SHALL BE INSTALLED IN ACCORDANCE WITH ANCHOR MANUFACTURER'S INSTALLATION INSTRUCTIONS AND ANCHORS SHALL NOT BE USED IN SUBSTRATES WITH STRENGTHS LESS THAN THE MINIMUM STRENGTH SPECIFIED BELOW:
 - A. WOOD – MINIMUM SPECIFIC GRAVITY OF $G=0.42$
 - B. CONCRETE – MINIMUM COMPRESSIVE STRENGTH OF 3,192 PSI.
 - C. MASONRY – STRENGTH CONFORMANCE TO ASTM C-90, GRADE N, TYPE 1 (OR GREATER).
 - D. METAL STRUCTURE: STEEL 18GA, 33KSI OR ALUMINUM 6063-T5 1/8" THICK MINIMUM

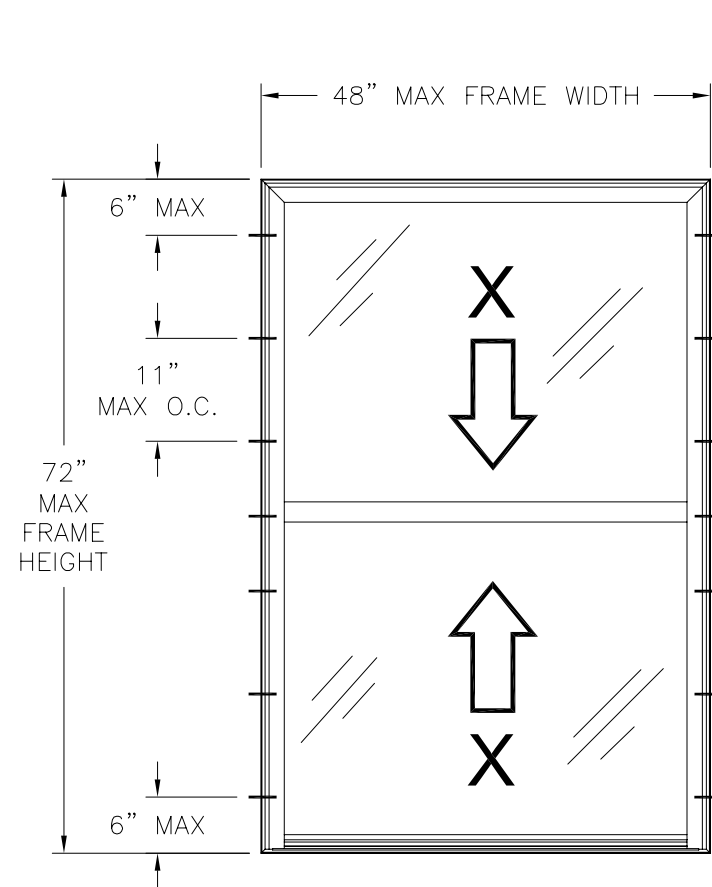
SIGNED: 02/28/2013

TABLE OF CONTENTS	
SHEET NO.	DESCRIPTION
1	NOTES
2	ELEVATIONS
3 – 5	INSTALLATION DETAILS

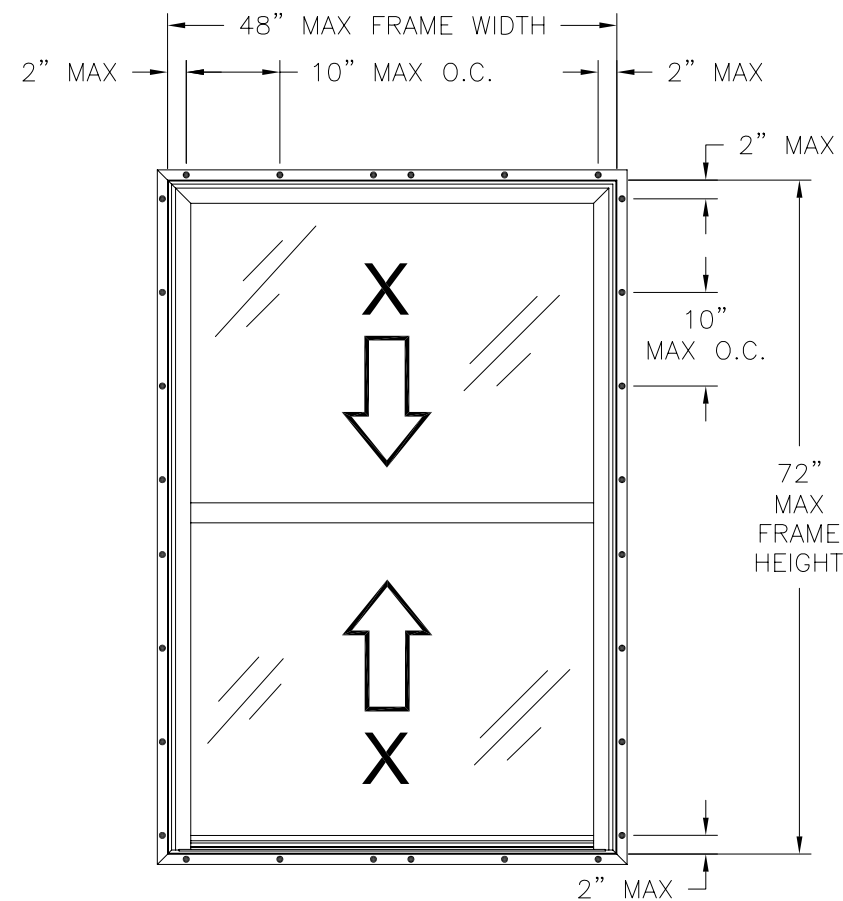
WINDOW MART MFG. LLC 5760 ALBERT PIKE ROYAL AR 71968		
6701 NC/6702 REP DOUBLE HUNG NON-IMPACT WINDOW - 48" X 72" NOTES		
DRAWN: A.P	DWG NO. 08-01940	REV -
SCALE NTS	DATE 02/28/13	SHEET 1 OF 5



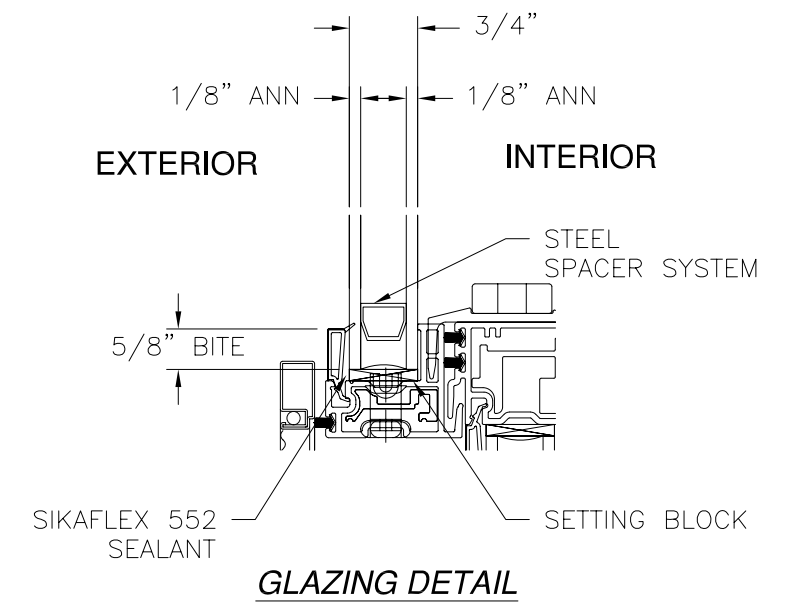
REVISIONS			
REV	DESCRIPTION	DATE	APPROVED



6702 REP DOUBLE HUNG
EXTERIOR VIEW FRAME INSTALLATION



6701 NC DOUBLE HUNG
EXTERIOR VIEW NAIL FIN INSTALLATION



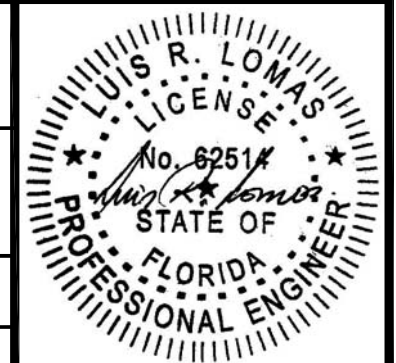
GLAZING DETAIL

DESIGN PRESSURE RATING	IMPACT RATING
±50PSF	NONE

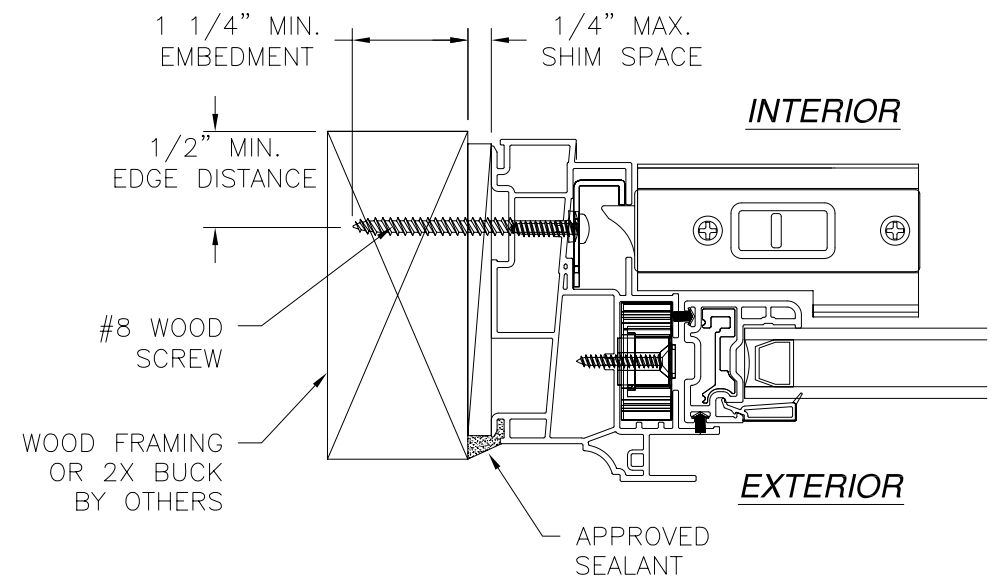
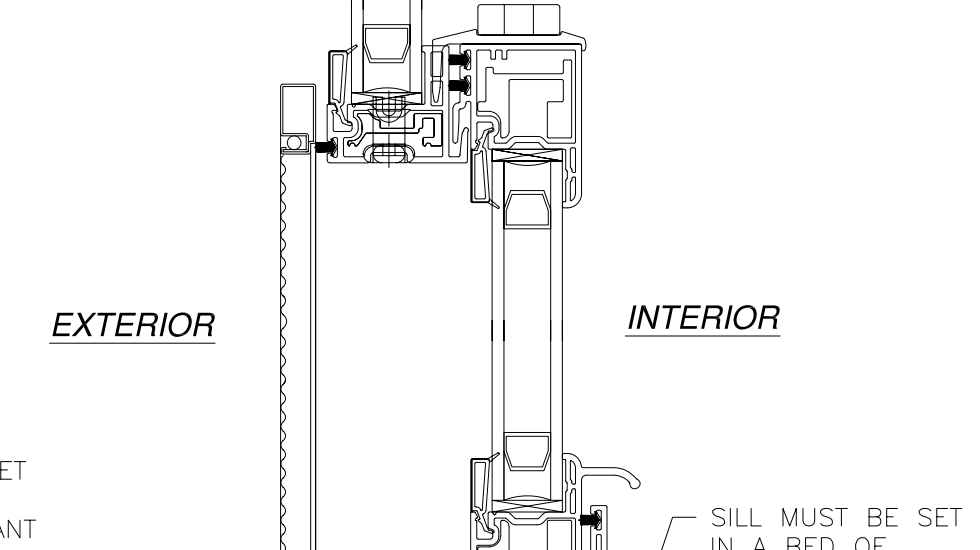
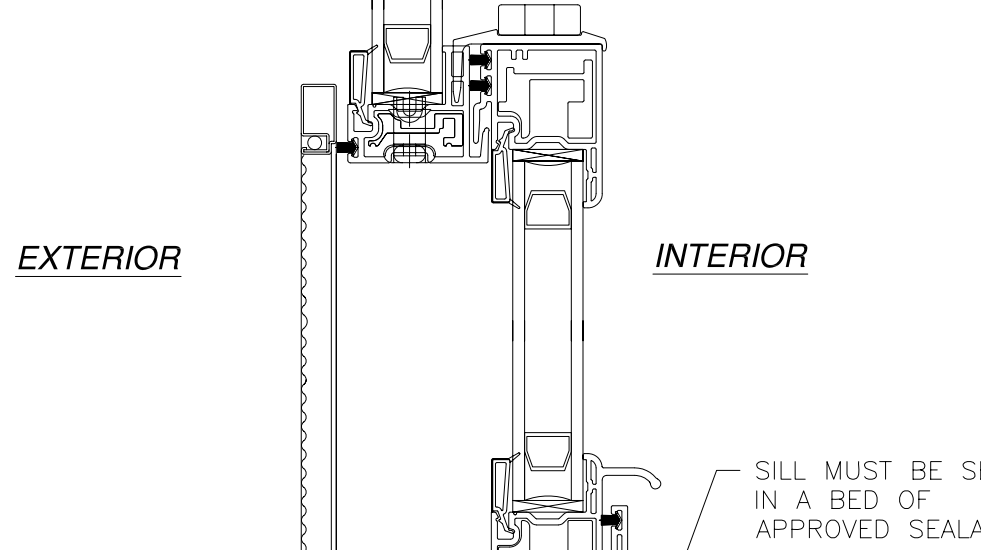
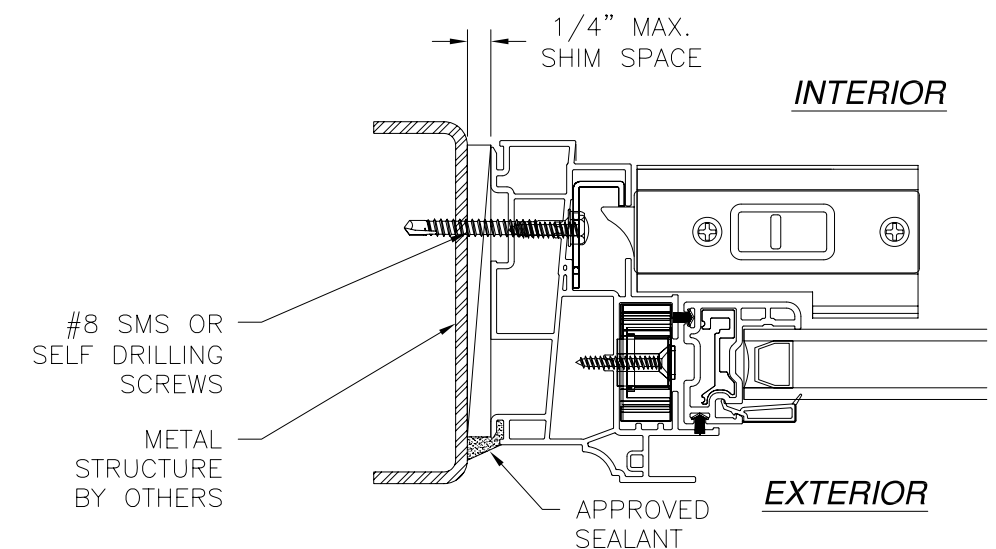
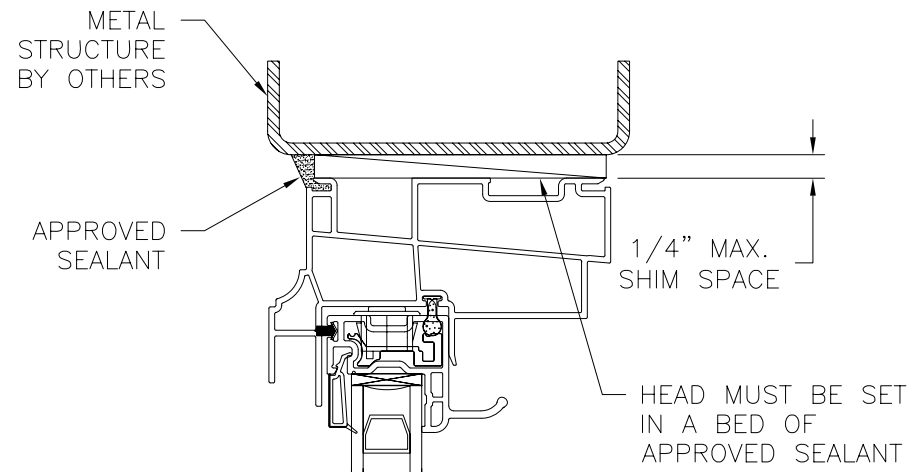
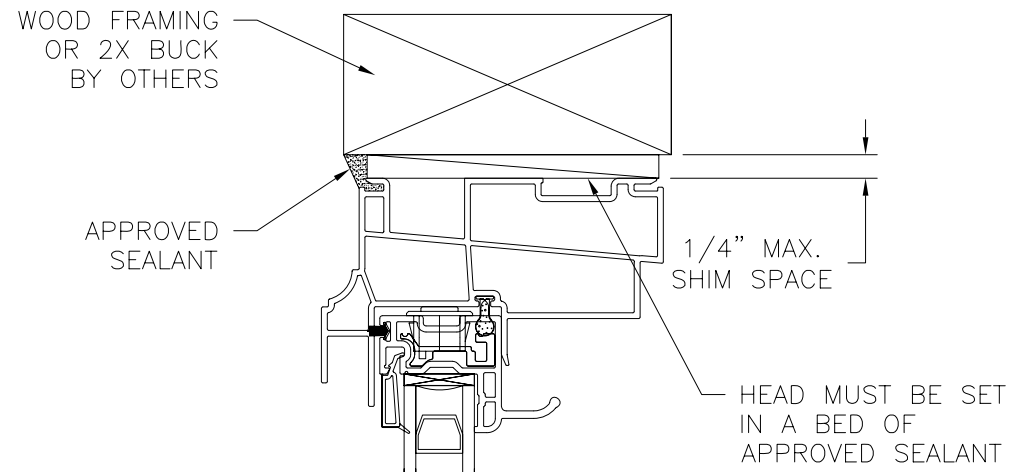
WINDOW MART MFG. LLC
5760 ALBERT PIKE
ROYAL AR 71968

6701 NC/6702 REP DOUBLE HUNG
NON-IMPACT WINDOW - 48" X 72"
ELEVATIONS

DRAWN: A.P	DWG NO. 08-01940	REV -
SCALE NTS	DATE 02/28/13	SHEET 2 OF 5



REVISIONS			
REV	DESCRIPTION	DATE	APPROVED



VERTICAL CROSS SECTION
WOOD FRAMING OR 2X BUCK INSTALLATION

VERTICAL CROSS SECTION
METAL STRUCTURE INSTALLATION

JAMB INSTALLATION DETAIL
WOOD FRAMING OR 2X BUCK INSTALLATION

NOTE:
INTERIOR AND EXTERIOR FINISHES, BY OTHERS, NOT SHOWN FOR CLARITY.

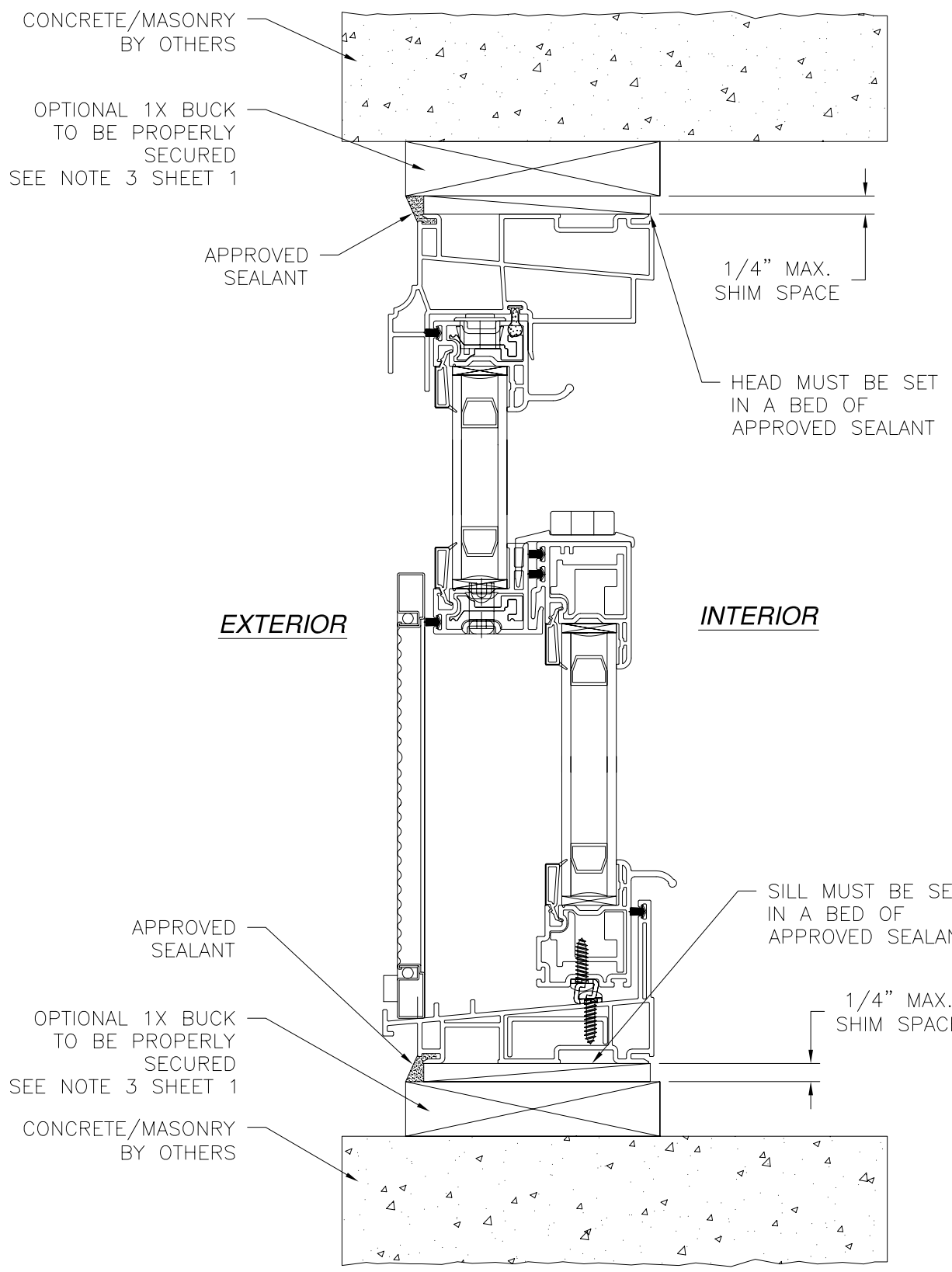
WINDOW MART MFG. LLC
5760 ALBERT PIKE
ROYAL AR 71968

6701 NC/6702 REP DOUBLE HUNG
NON-IMPACT WINDOW - 48" X 72"
INSTALLATION DETAILS

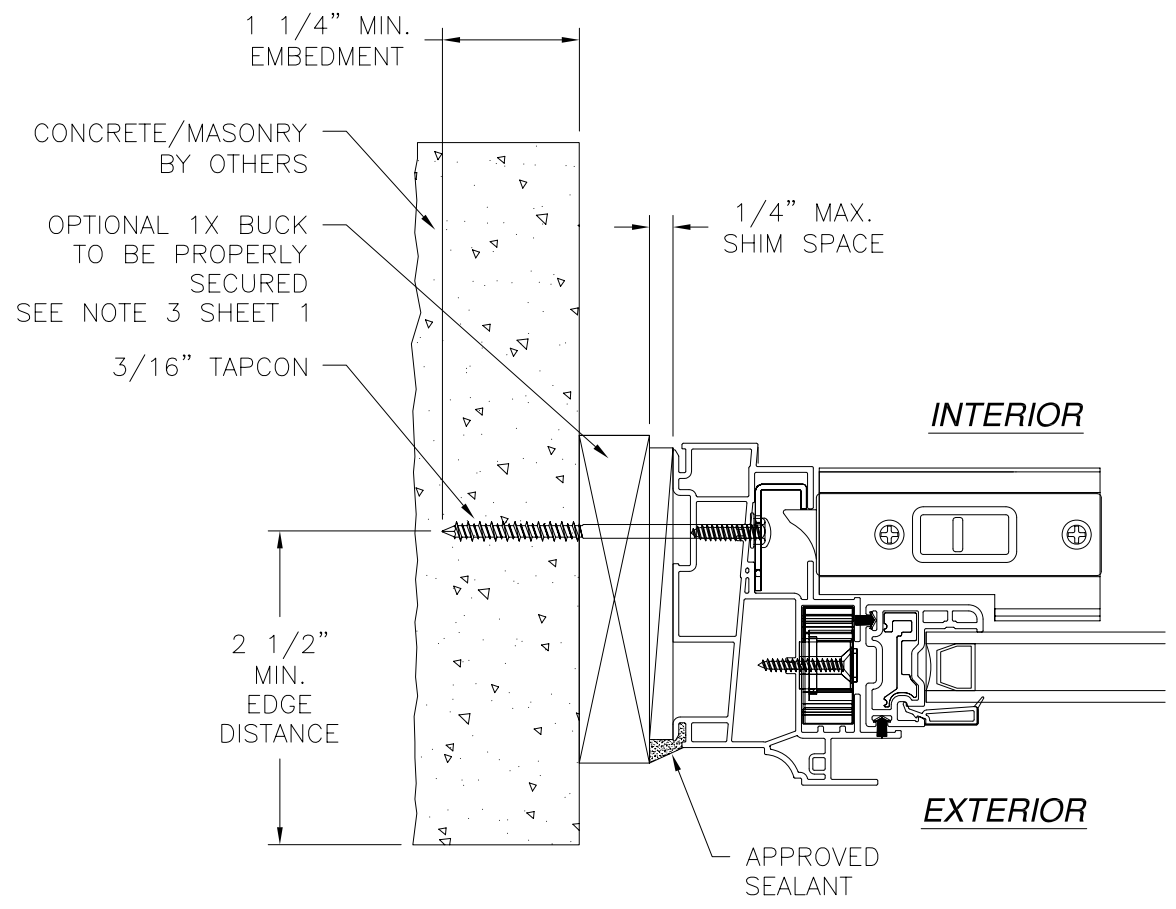
DRAWN: A.P	DWG NO. 08-01940	REV -
SCALE NTS	DATE 02/28/13	SHEET 3 OF 5



REVISIONS			
REV	DESCRIPTION	DATE	APPROVED



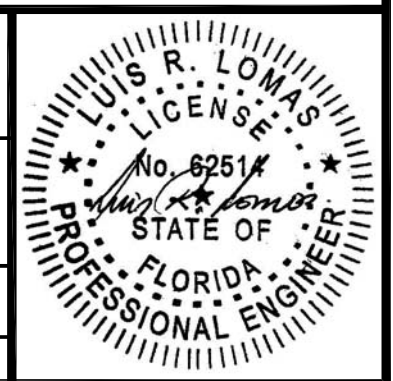
VERTICAL CROSS SECTION
CONCRETE/MASONRY INSTALLATION



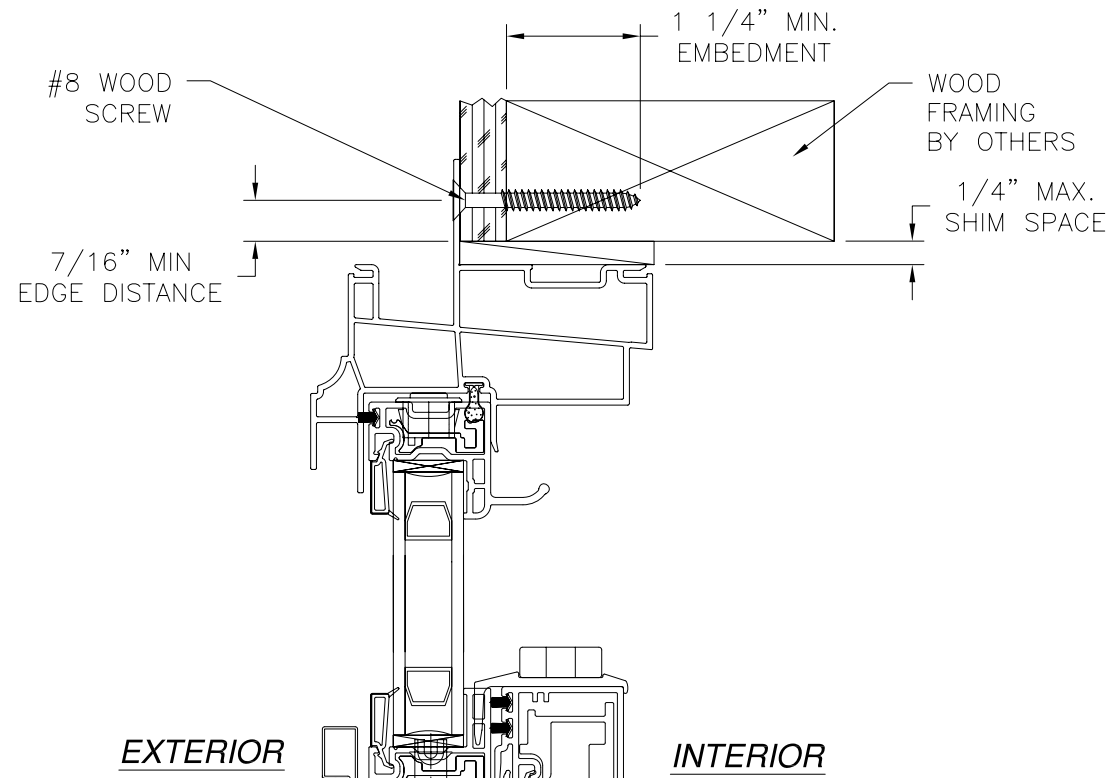
JAMB INSTALLATION DETAIL
CONCRETE/MASONRY INSTALLATION

NOTE:
INTERIOR AND EXTERIOR FINISHES, BY OTHERS, NOT SHOWN FOR CLARITY.

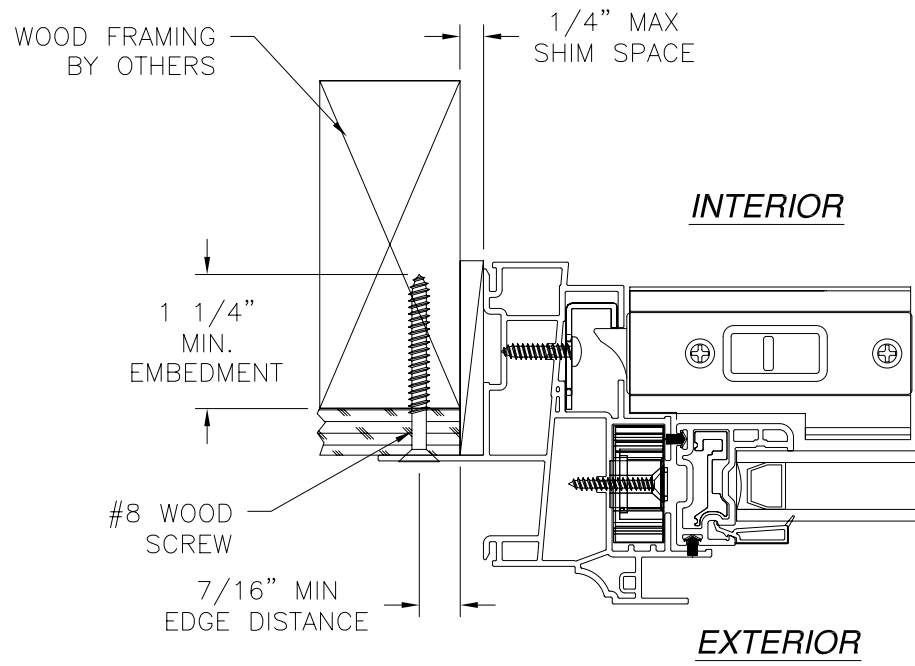
WINDOW MART MFG. LLC 5760 ALBERT PIKE ROYAL AR 71968		
6701 NC/6702 REP DOUBLE HUNG NON-IMPACT WINDOW - 48" X 72" INSTALLATION DETAILS		
DRAWN: A.P	DWG NO. 08-01940	REV -
SCALE NTS	DATE 02/28/13	SHEET 4 OF 5



REVISIONS			
REV	DESCRIPTION	DATE	APPROVED



VERTICAL CROSS SECTION
WOOD FRAMING OR 2X BUCK INSTALLATION



JAMB INSTALLATION DETAIL
WOOD FRAMING OR 2X BUCK INSTALLATION

NOTE:
INTERIOR AND EXTERIOR FINISHES, BY OTHERS, NOT SHOWN FOR CLARITY.

WINDOW MART MFG. LLC 5760 ALBERT PIKE ROYAL AR 71968		
6701 NC/6702 REP DOUBLE HUNG NON-IMPACT WINDOW - 48" X 72" INSTALLATION DETAILS		
DRAWN: A.P	DWG NO. 08-01940	REV -
SCALE NTS	DATE 02/28/13	SHEET 5 OF 5

