

**10300085 ALUMINUM X MULLION
REINFORCED LMI WIND ZONE 3**

REVISIONS			
REV	DESCRIPTION	DATE	APPROVED

NOTES:

- 1) THE PRODUCT SHOWN HEREIN IS DESIGNED AND MANUFACTURED TO COMPLY WITH REQUIREMENTS OF THE FLORIDA BUILDING CODE.
- 2) WOOD FRAMING AND MASONRY OPENING TO BE DESIGNED AND ANCHORED TO PROPERLY TRANSFER ALL LOADS TO STRUCTURE. FRAMING AND MASONRY OPENING IS THE RESPONSIBILITY OF THE ARCHITECT OR ENGINEER OF RECORD.
- 3) ALLOWABLE STRESS INCREASE OF 1/3 WAS NOT USED IN THE DESIGN OF THE PRODUCT SHOWN HEREIN. WIND LOAD DURATION FACTOR Cd=1.6 WAS USED FOR WOOD ANCHOR CALCULATIONS.
- 4) APPROVED IMPACT PROTECTIVE SYSTEM IS NOT REQUIRED FOR THIS PRODUCT IN WIND BORNE DEBRIS REGIONS
- 5) DESIGN PRESSURE AND INSTALLATION DETAILS SHOWN IN THIS DOCUMENT APPLY ONLY TO THE MULLION. WINDOWS MUST BE APPROVED UNDER SEPARATE APPROVAL.
- 6) SINGLE UNITS TO BE MULLED ARE NOT LIMITED TO THOSE SHOWN IN THIS DRAWING. SINGLE UNITS TO BE MULLED TOGETHER MUST BE MANUFACTURED BY WINDOW MART
- 7) DESIGN PRESSURE OF MULLED UNIT SHALL BE CONTROLLED BY THE LESSER DESIGN PRESSURE OF THE MULLION OR THE INDIVIDUAL WINDOW UNIT.
- 8) UNITS MAYBE MULLED INDEFINITELY

DESIGN PRESSURE TABLE INSTRUCTIONS:

- 1) DEFINE REQUIRED DESIGN LOAD PER FLORIDA BUILDING CODE CHAPTER 16.
- 2) DETERMINE TRIBUTARY WIDTH, HEIGHT AND MULLION SPAN BASED ON PRODUCT TO BE INSTALLED. SEE FORMULA FOR TRIBUTARY WIDTH AND HEIGHT.
- 3) LOCATE MULLION SPAN (UNIT HEIGHT) AND TRIBUTARY WIDTH. AT THE INTERSECTION OF ROW AND COLUMN CONTAINING THE MULLION SPAN AND TRIBUTARY WIDTH RESPECTIVELY IS THE MULLION RATING FOR PRODUCT IN STEP 2. MULLION RATING MUST BE EQUAL OR GREATER THAN REQUIRED DESIGN PRESSURE OBTAINED IN STEP 1.

$$\text{TRIBUTARY HEIGHT} = \frac{H1 + H2}{2}$$

$$\text{TRIBUTARY WIDTH} = \frac{W1 + W2}{2}$$

Maximum design pressure chart (psf)
Limited by mullion, clip or anchor capacity

Mullion span (in)	Tributary Height (in)	Tributary width (in)									
		24.00	28.00	32.00	36.00	40.00	44.00	48.00	52.00	54.00	60.00
48.00	24.00	135.3	121.8	110.7	101.5	93.7	87.0	81.2	76.1	73.8	67.7
56.00	28.00	110.7	99.4	90.8	83.5	77.3	72.0	67.4	63.3	61.4	56.4
64.00	32.00	93.7	83.5	76.1	70.3	65.3	60.9	57.1	53.7	52.2	48.1
72.00	36.00	81.2	72.0	65.3	60.1	56.0	52.4	49.2	46.4	45.1	41.6
80.00	40.00	71.6	63.3	56.9	51.3	46.9	43.3	40.2	37.5	36.2	33.0
88.00	44.00	54.8	47.6	42.3	38.1	34.8	32.1	29.8	27.8	26.9	24.5
96.00	48.00	42.0	36.4	32.3	29.0	26.5	24.4	22.6	21.1	20.5	18.7
104.00	52.00	32.8	28.4	25.2	22.6	20.6	19.0	17.6	16.4	15.9	14.5
112.00	56.00	26.1	22.6	20.0	18.0	16.4	15.0	13.9	13.0	12.6	11.5
120.00	60.00	21.2	18.3	16.2	14.5	13.2	12.1	11.2	10.5	10.1	-
128.00	64.00	17.4	15.0	13.3	11.9	10.8	-	-	-	-	-
136.00	68.00	14.4	12.5	11.0	-	-	-	-	-	-	-
144.00	72.00	12.1	10.5	-	-	-	-	-	-	-	-
152.00	76.00	10.3	-	-	-	-	-	-	-	-	-

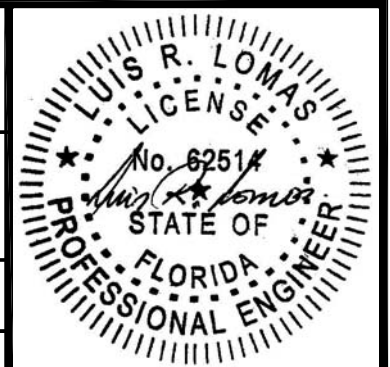
SIGNED: 02/11/2013

TABLE OF CONTENTS	
SHEET NO.	DESCRIPTION
1	ELEVATION, NOTES AND DESIGN PRESSURE CHART
2, 3	INSTALLATION DETAILS AND BILL OF MATERIALS
4	COMPONENTS

WINDOW MART
5760 ALBERT PIKE
ROYAL, AR 71968

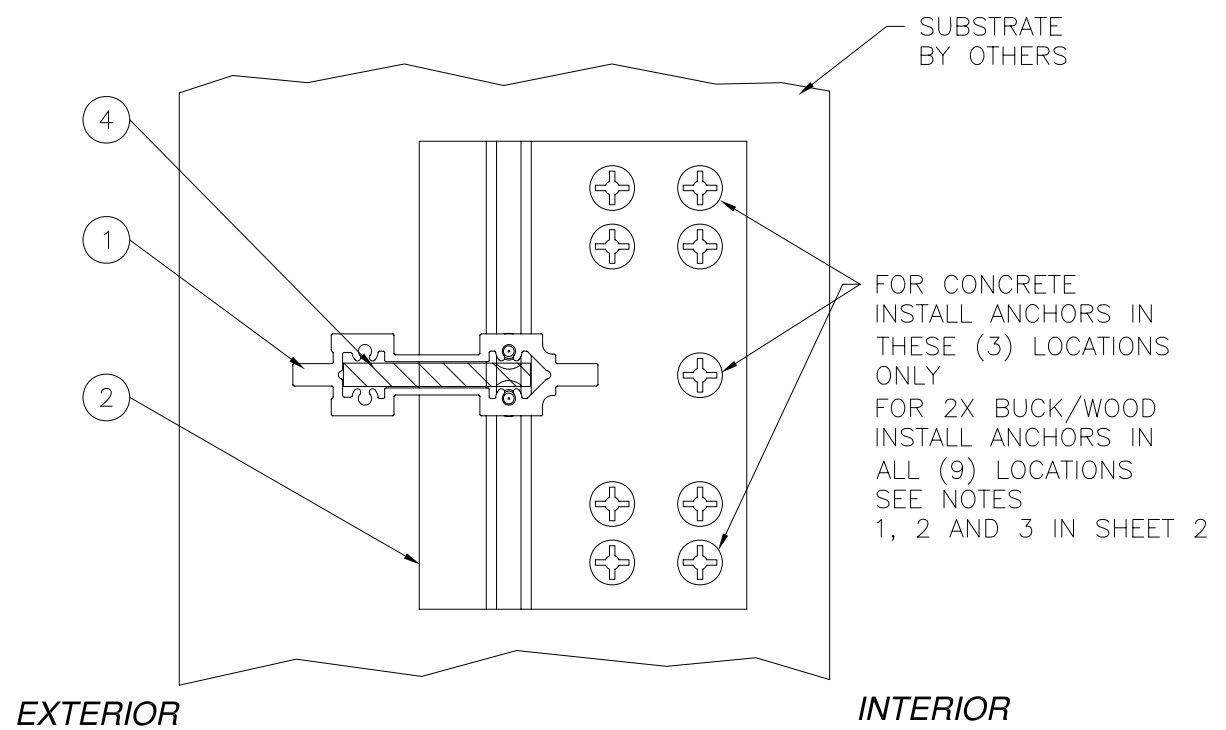
10300085 ALUMINUM X MULLION
REINFORCED LMI WIND ZONE 3
ELEVATION, NOTES AND DESIGN PRESSURE CHART

DRAWN: A.P.	DWG NO. 08-01919	REV -
SCALE NTS	DATE 02/11/13	SHEET 1 OF 4

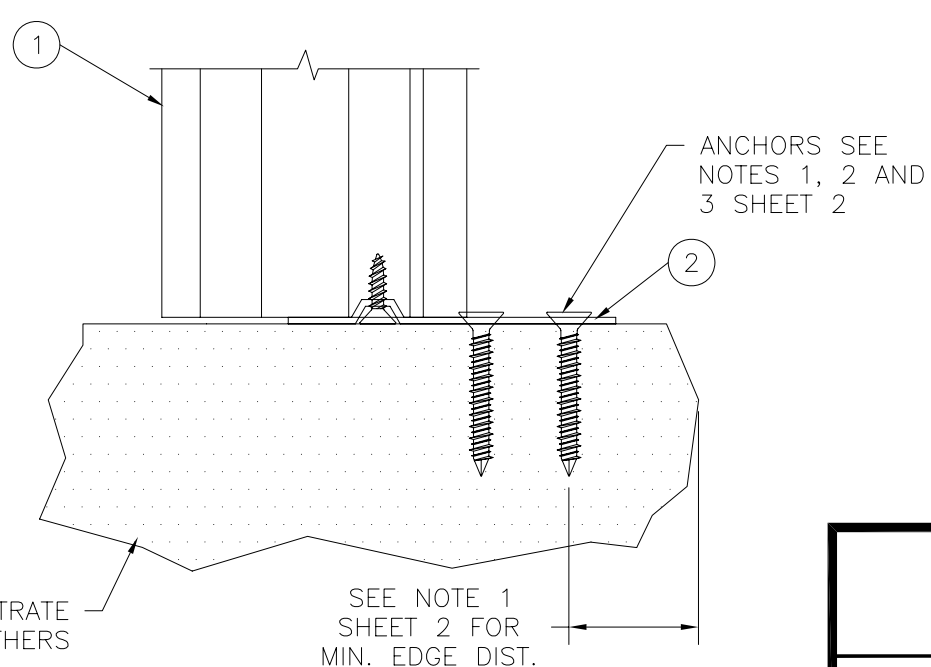
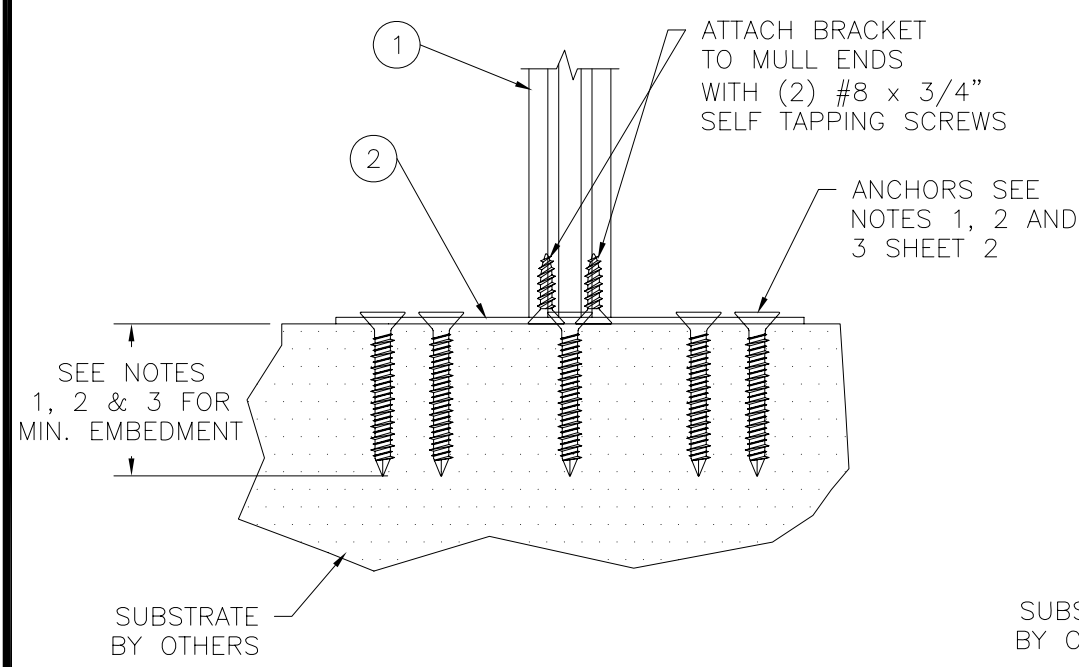


PARTS LIST				
NO.	PART NUMBER	DESCRIPTION	MANUFACTURER	MATERIAL
1	10300085	ALUMINUM VERTICAL MULLION	DECEUNINCK	ALUMINUM 6005-T5
2	10203000	15GA. STEEL MULLION BRACKET	DECEUNINCK	GALVANIZED STEEL
3	10300093	MULL CLIP	DECEUNINCK	ALUMINUM 6005-T5
4		MULLION REINFORCEMENT		STEEL

REVISIONS			
REV	DESCRIPTION	DATE	APPROVED



- ANCHORING NOTES:
- 1) FOR ANCHORING MULLION BRACKET OR MULL CLIP INTO MASONRY/CONCRETE USE 3/16" ITW TAPCONS WITH SUFFICIENT LENGTH TO ACHIEVE A 1 3/4" MINIMUM EMBEDMENT INTO SUBSTRATE WITH 2 5/8" MINIMUM EDGE DISTANCE. LOCATE ANCHORS AS SHOWN IN ELEVATIONS AND INSTALLATION DETAILS.
 - 2) FOR ANCHORING MULLION BRACKET OR MULL CLIP INTO WOOD FRAMING OR 2X BUCK USE #10 WOOD SCREW WITH SUFFICIENT LENGTH TO ACHIEVE A 1 3/8" MINIMUM EMBEDMENT INTO SUBSTRATE. LOCATE ANCHORS AS SHOWN IN ELEVATIONS AND INSTALLATION DETAILS.
 - 3) FOR ANCHORING MULLION BRACKET OR MULL CLIP INTO 16GA. MINIMUM METAL FRAMING USE #10 TEK SELF TAPPING SCREWS WITH SUFFICIENT LENGTH TO ACHIEVE A MINIMUM EMBEDMENT OF THREE THREADS PAST SUBSTRATE. LOCATE ANCHORS AS SHOWN IN ELEVATIONS AND INSTALLATION DETAILS.
 - 4) FOR WINDOW UNIT ANCHORING TO VERTICAL MULLION SEE INDIVIDUAL WINDOW APPROVAL INSTALLATION INSTRUCTIONS.
 - 5) FOR WINDOW UNIT ANCHORING SCHEDULE TO SUBSTRATE REFER TO INDIVIDUAL WINDOW APPROVAL INSTALLATION INSTRUCTIONS.
 - 6) ALL FASTENERS TO BE CORROSION RESISTANT.
 - 7) INSTALLATION ANCHORS SHALL BE INSTALLED IN ACCORDANCE WITH ANCHOR MANUFACTURER'S INSTALLATION INSTRUCTIONS, AND ANCHORS SHALL NOT BE USED IN SUBSTRATES WITH STRENGTHS LESS THAN THE MINIMUM STRENGTH SPECIFIED BELOW:
 A. WOOD - MINIMUM SPECIFIC GRAVITY OF G=0.42
 B. CONCRETE - MINIMUM COMPRESSIVE STRENGTH OF 2,000 PSI.
 C) METAL FRAMING - 16GA. MINIMUM.

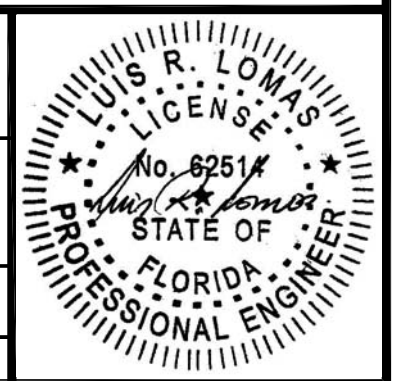


STEEL MULLION BRACKET 10203000
INSTALLATION DETAILS
 SILL, HEAD AND JAMBS TYP.

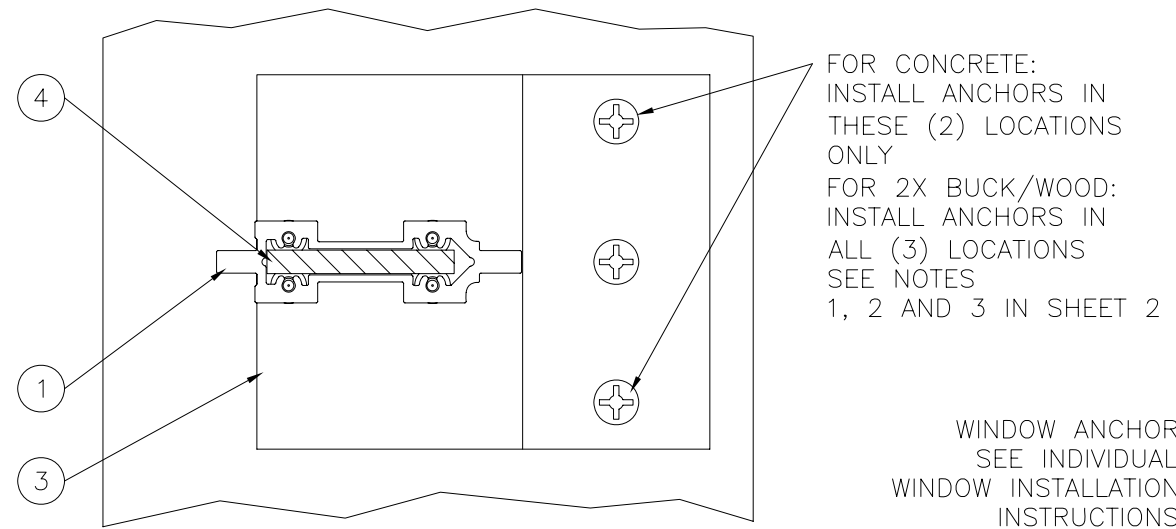
WINDOW MART
 5760 ALBERT PIKE
 ROYAL, AR 71968

10300085 ALUMINUM X MULLION
 REINFORCED LMI WIND ZONE 3
 INSTALLATION DETAILS AND BILL OF MATERIALS

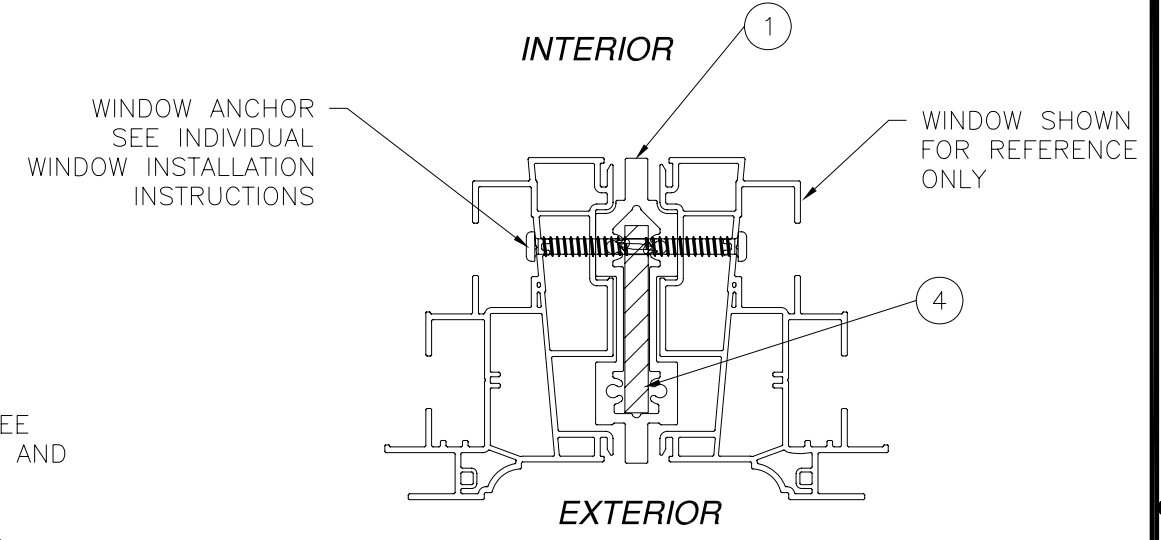
DRAWN: A.P.	DWG NO. 08-01919	REV -
SCALE NTS	DATE 02/11/13	SHEET 2 OF 4



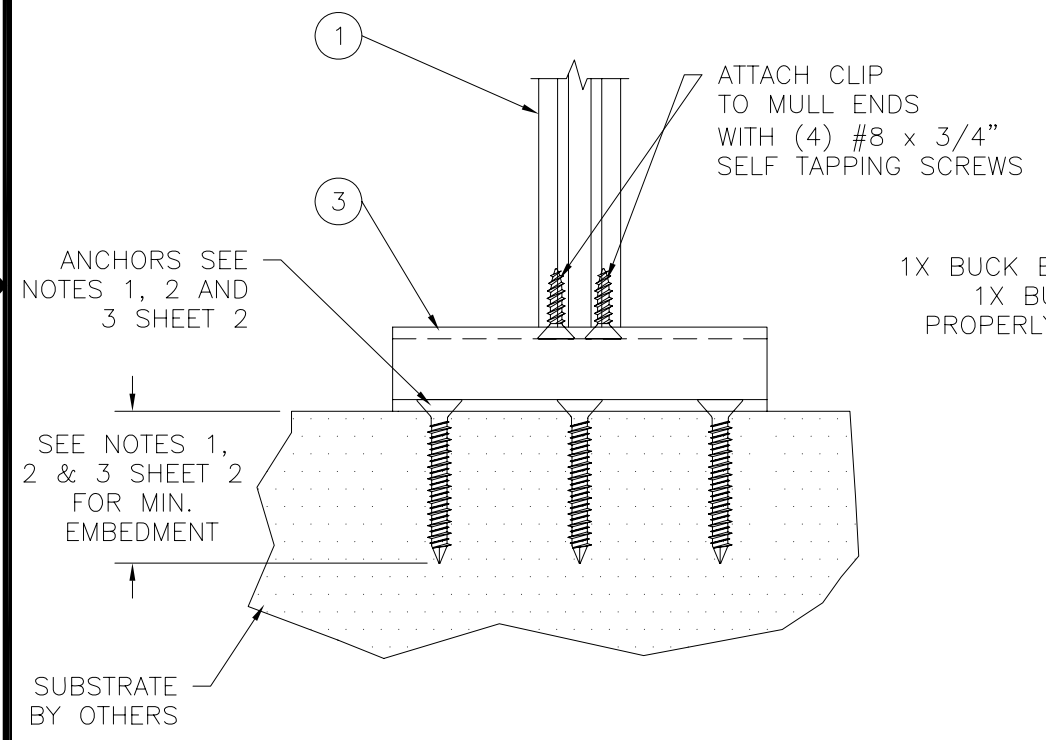
REVISIONS			
REV	DESCRIPTION	DATE	APPROVED



FOR CONCRETE:
INSTALL ANCHORS IN
THESE (2) LOCATIONS
ONLY
FOR 2X BUCK/WOOD:
INSTALL ANCHORS IN
ALL (3) LOCATIONS
SEE NOTES
1, 2 AND 3 IN SHEET 2



WINDOW TO MULLION INSTALLATION DETAIL



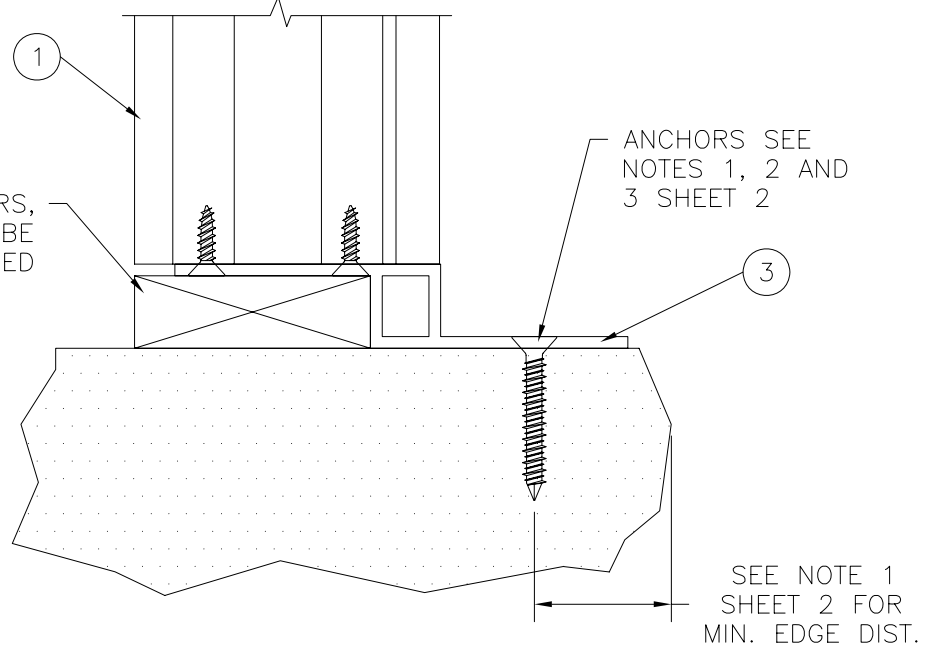
ATTACH CLIP
TO MULL ENDS
WITH (4) #8 x 3/4"
SELF TAPPING SCREWS

ANCHORS SEE
NOTES 1, 2 AND
3 SHEET 2

SEE NOTES 1,
2 & 3 SHEET 2
FOR MIN.
EMBEDMENT

SUBSTRATE
BY OTHERS

1X BUCK BY OTHERS,
1X BUCK TO BE
PROPERLY SECURED

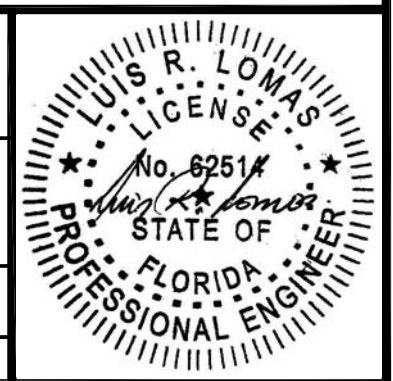


ANCHORS SEE
NOTES 1, 2 AND
3 SHEET 2

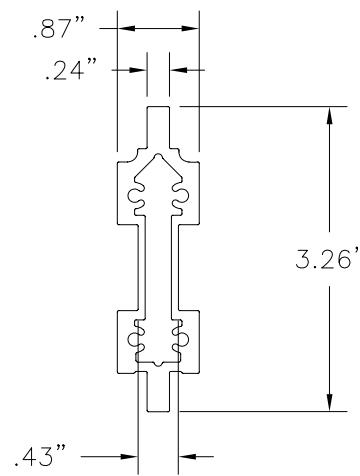
SEE NOTE 1
SHEET 2 FOR
MIN. EDGE DIST.

**ALTERNATE MULL CLIP 10300093
INSTALLATION DETAILS
SILL, HEAD AND JAMBS TYP.**

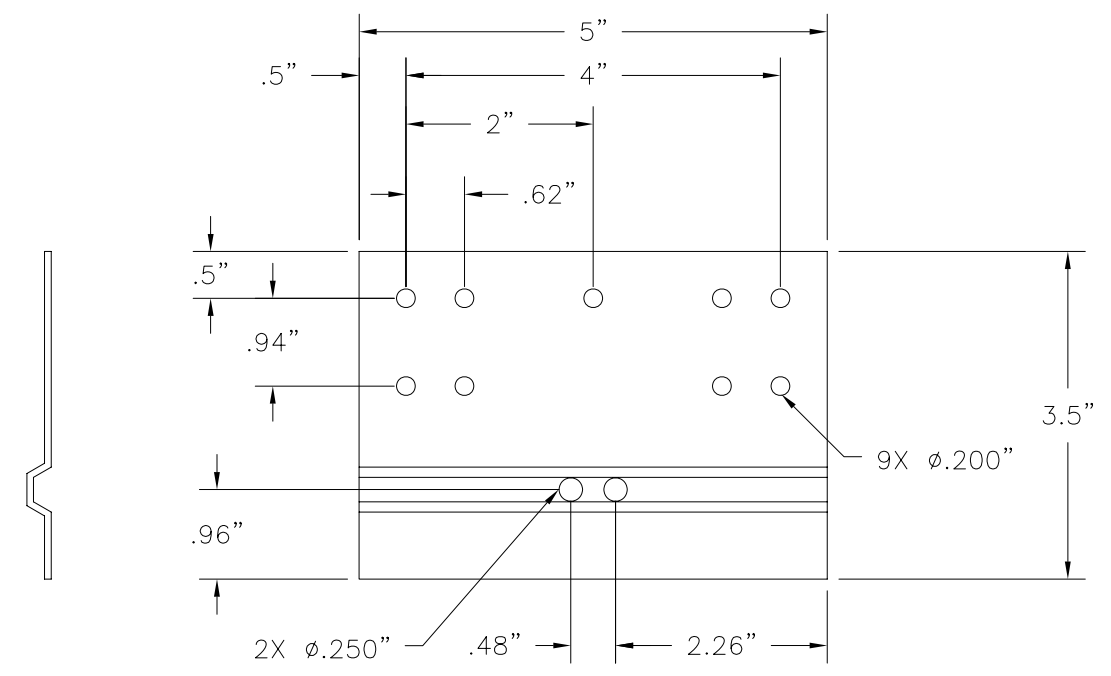
WINDOW MART 5760 ALBERT PIKE ROYAL, AR 71968		
10300085 ALUMINUM X MULLION REINFORCED LMI WIND ZONE 3 INSTALLATION DETAILS		
DRAWN: A.P.	DWG NO. 08-01919	REV -
SCALE NTS	DATE 02/11/13	SHEET 3 OF 4



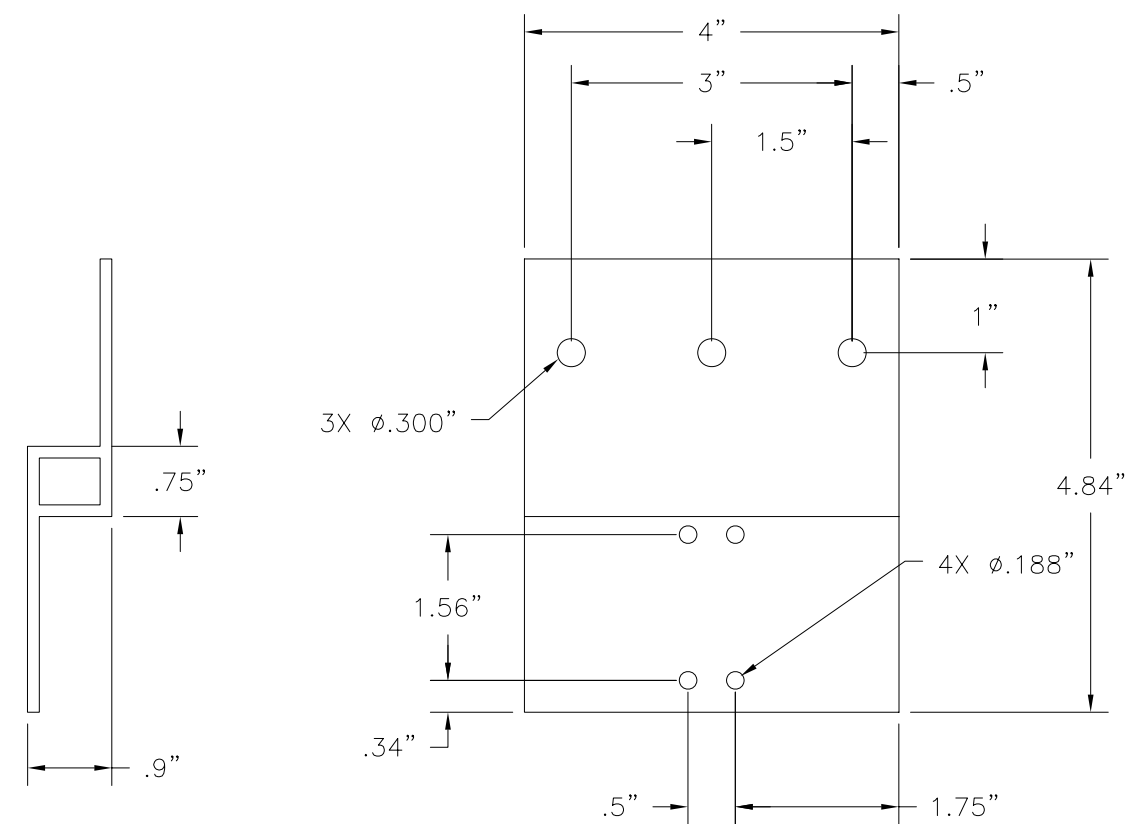
REVISIONS			
REV	DESCRIPTION	DATE	APPROVED



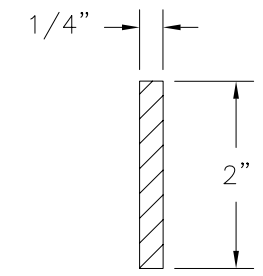
① **10300085 ALUMINUM VERTICAL MULLION**
ALUMINUM 6005-T5 .075" THICK MINIMUM



② **STEEL MULLION BRACKET**
15GA. GALVANIZED STEEL



③ **MULL CLIP**
ALUMINUM 6005-T5 .125" THICK



④ **MULLION REINFORCEMENT**
STEEL 1/4" THICK

WINDOW MART 5760 ALBERT PIKE ROYAL, AR 71968		
10300085 ALUMINUM X MULLION REINFORCED LMI WIND ZONE 3 COMPONENTS		
DRAWN: A.P.	DWG NO. 08-01919	REV -
SCALE NTS	DATE 02/11/13	SHEET 4 OF 4

